

Soft-sealing control valve, self-operated i.e. without additional energy use, for the control of flow rates or pressures.

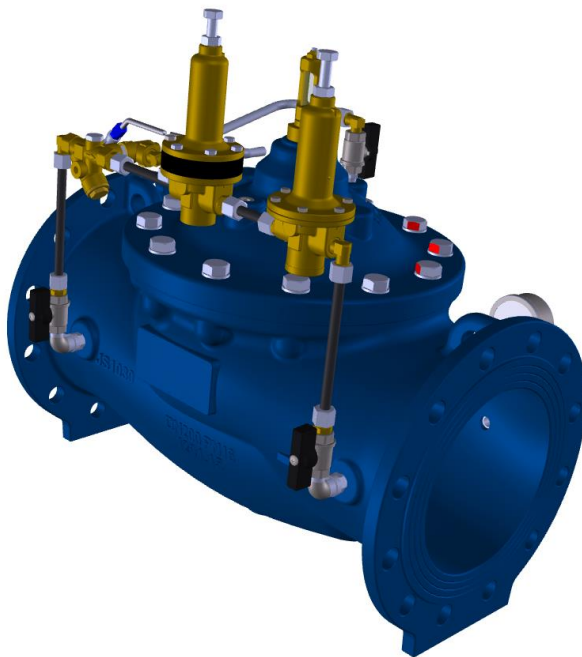
The respective installation situation determines the type of control, which is adapted individually.

This way we meet the reliable solution for the respective control task.

Product features:

- Face to Face acc. EN 558-1 Series 1
- Size: DN50 to DN800
- Flange acc. to DIN EN 1092-2 PN10-PN63

- Self operated
- No separate confirmation required
- Protection against overpressure
- Flow control



Material

- **Body:**
 - ✚ EN-JS 1030 (GGG 40)
Other materials on request
- **Piston:**
 - ✚ 1.4301 (stainless steel)
 - ✚ 1.4401 (stainless steel)
Other materials on request
- **Seat ring:**
 - ✚ 1.4408 (stainless steel)
Other materials on request
- **Stem:**
 - ✚ 1.4301 (stainless steel)
 - ✚ 1.4401 (stainless steel)
Other materials on request
- **Seal:**
 - ✚ EPDM
Other materials on request
- **Diaphragm:**
 - ✚ NBR
Other materials on request

Corrosion protection:

- *EKB-powder coated, RAL5015, blue*
other coating systems and RAL colors on request

application:

- *Water treatment*
- *Industry*
- *Process engineering*
- *Power plants*

operation:

- *Automatic*
- *float-controlled*

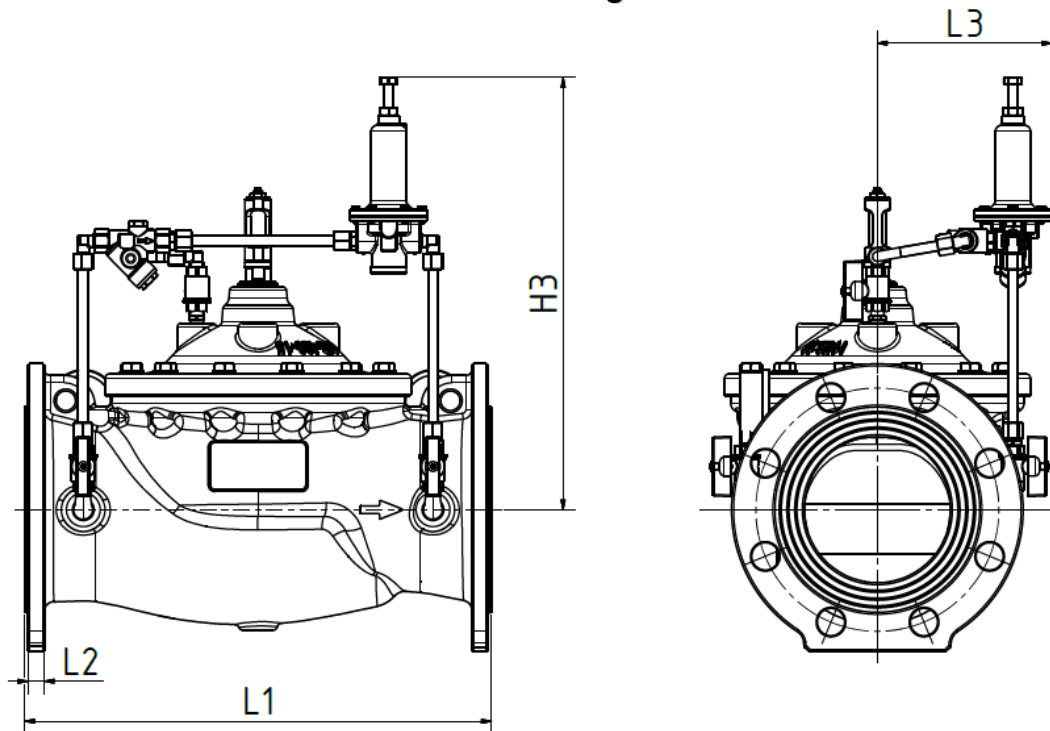
Function:

- *Pressurisation*
- *Pressure control*
- *Pressure reduction*
- *Flow control*
- *Reservoir filling*

Our approvals



dimensions and weight



Size DN	FTF L1	L2			L3	H3	weight
mm	mm	mm			mm	mm	Kg.
		PN10	PN16	PN25			
50	230	16	16	18	170	220	20
65	290	16	16	20	180	250	24
80	310	18	18	22	200	280	30
100	350	18	18	22	210	310	43
125	400	20	20	24	230	380	48
150	480	20	20	26	250	420	70
200	600	22	22	28	280	520	118
250	730	24	24	30	300	600	173
300	850	24	26	32	340	740	280
350	980	24,5	26,5	30	380	800	510
400	1100	24	30	38	390	810	550
500	1250	26	42	46	460	890	873
600	1450	26	52	56	540	970	1400
700	1650	28	34	44	590	1020	1950
800	1850	30	36	48	640	1070	2050

Other diameter on request