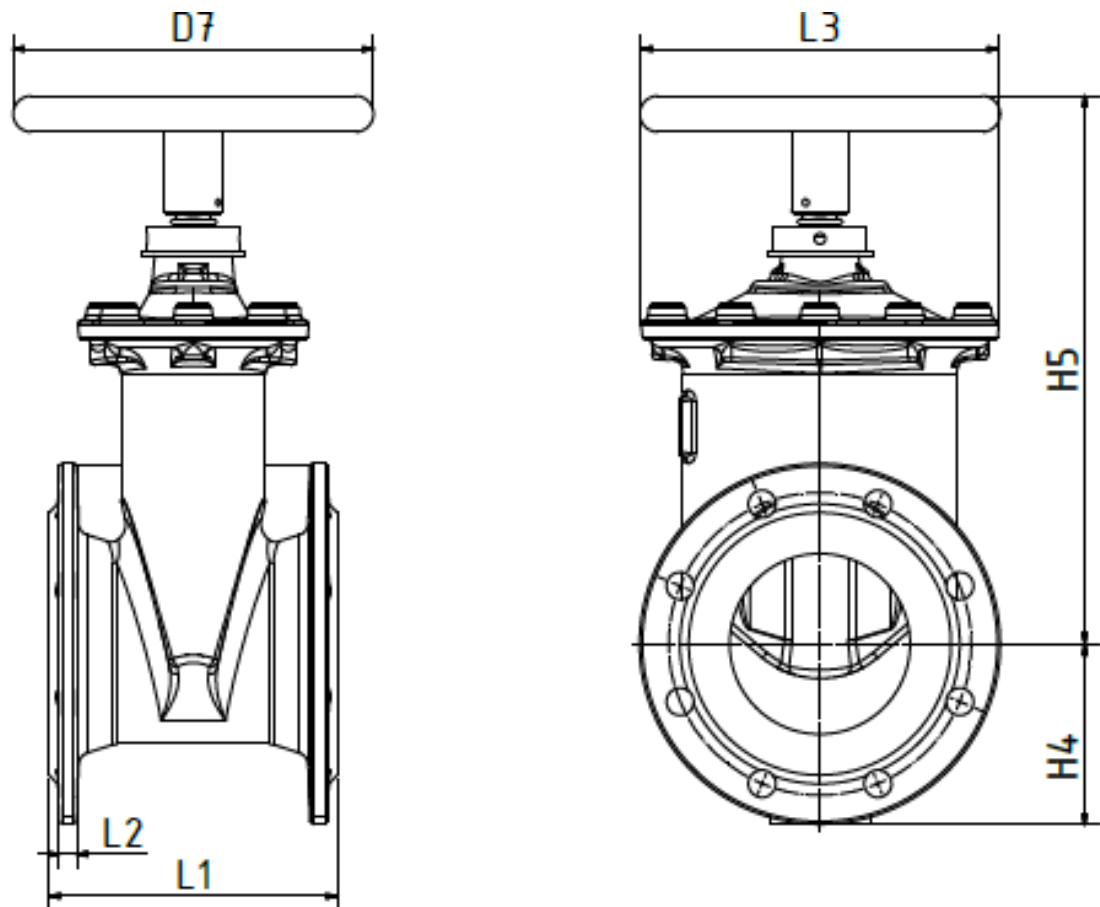


Dimensions and weights



Size DN	FTF L1	L2	L3	D7	H4	H5	Handwheel Mounting	weight
mm	mm	mm	mm	mm	mm	mm	thread	Kg.
50	150	19	151	200	83	210	M8	9
65	170	19	165	250	93	235	M10	11
80	180	19	172	250	100	265	M10	14
100	190	19	204	300	110	293	M10	17
125	200	19	248	300	125	343	M10	24
150	210	19	278	300	143	380	M10	31
200	230	20	362	400	170	465	M12	57
250	250	22	430	500	200	573	M12	93
300	270	24,5	485	500	228	675	M12	134
350	290	26,5	585	600	260	820	M16	212
400	310	28	585	600	290	820	M16	226
500	350	31	730	800	358	1040	M16	438
600	390	36	860	800	420	1240	M16	637

other diameter on request