

**Resilient Seated PTFE lined butterfly valve with centric bearing disc optionally also coated PTFE - one-piece shaft, and TA air approval. Resistant to aggressive and corrosive media of chemical and petrochemical industry**

### product features:

- Face to Face acc. to EN 558-1 Line 20 (DIN3202/K1)
- Size: DN40 to DN600, other diameter on request
- Flange acc. to DIN EN 1092-2 PN10-PN16 / ANSI
- for end line service
- with TA- air approval
- soft seated
- Centric bearing disc

### Materials

#### Body:

- ✚ EN-JS 1049 (GGG 40.3)
  - ✚ 1.4404 (stainless steel)
  - ✚ S355J2 (carbon steel)
  - ✚ Duroplast
- other materials on request

#### Disc:

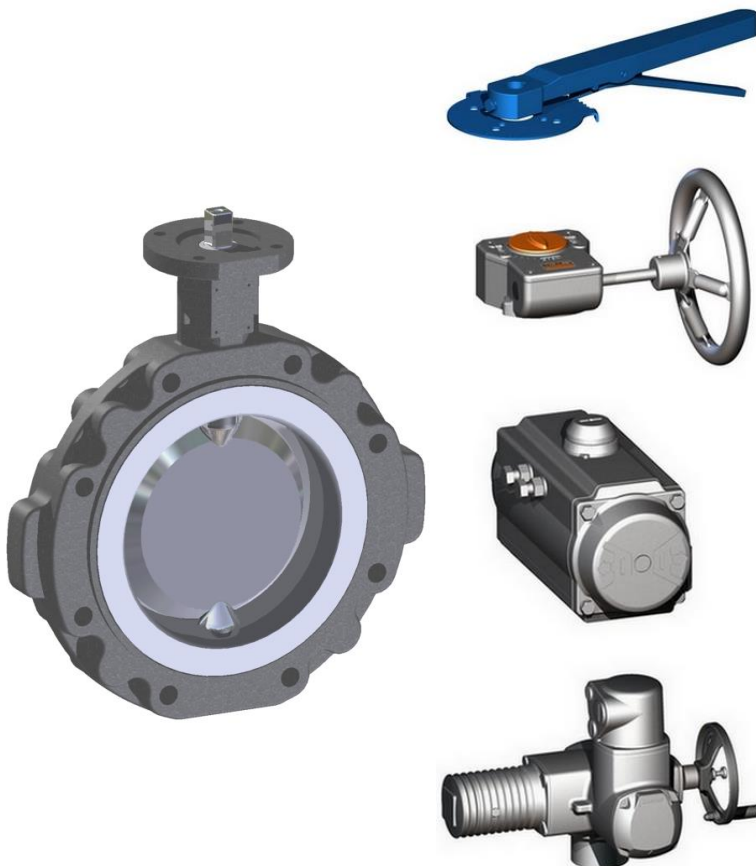
- ✚ 1.4469 (Super Duplex)
  - ✚ 1.4404 (stainless steel)
  - ✚ 1.4469 (Super Duplex) TFA coated
  - ✚ 3.7035 (Titan)
  - ✚ 2.4602 (Hastelloy C)
- other materials on request

#### Stem:

- ✚ 1.4469 (Super Duplex)
  - ✚ 1.4404 (stainless steel)
  - ✚ 3.7035 (Titan)
  - ✚ 2.4602 (Hastelloy C)
- other materials on request

#### Seal:

- ✚ PTFE
  - ✚ PTFE Modified
  - ✚ UHMPE
- other materials on request



### **Corrosion protection:**

- 2-K-Epoxy coated, RAL5011, blue

*Other coating systems and RAL colors on request*

### **Application:**

- Chemical industry
- Petrochemical industry
- Pharmaceutical industry
- Food industry
- Water treatment
- Energy industry

### **Operation:**

- Handlever in different materials
- Gearbox in different materials
- Pneumatic Actuator
- Electric Actuator

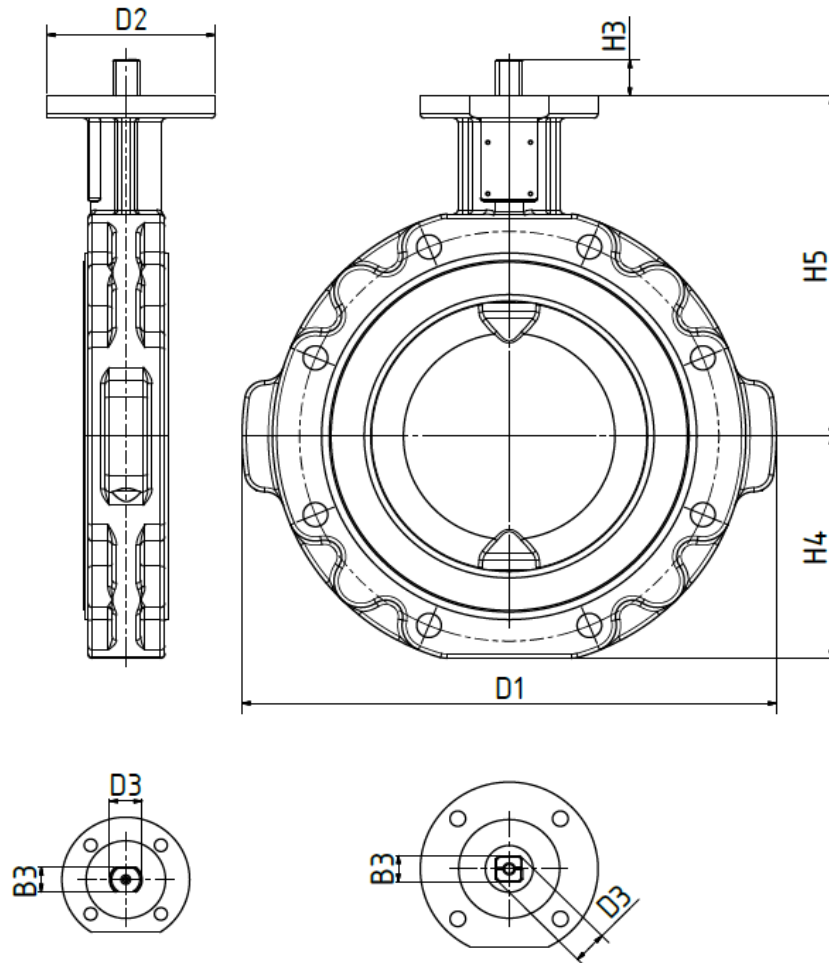
### **Accessories:**

- limit switches
- stem extension
- spindel extension
- mounting bracket

### **Our approvals**



### Dimensions and weight



Double D  
DN50 - 150

Square Top  
DN200 - 600

Size DN	ISO Flange	FTF L1	D1	D2	D3	B3	H3	H4	H5	weight
mm		mm	mm	mm	mm	mm	mm	mm	mm	Kg.
40	F05	33	142	65	13	9	19	53	94	3,0
50	F07	43	153	90	14	11	19	58	130	5,0
65	F07	46	173	90	14	11	19	65	146	7,0
80	F07	46	210	90	14	11	19	88	165	8,0
100	F07	52	245	90	18	14	25	102	185	10,8
125	F07	56	272	90	18	14	25	116	202	14,5
150	F07	56	295	90	22	17	30	127	217	15,8
200	F10	60	364	125	24	19	26	160	245	24,6
250	F10	68	431	125	28	22	30	193	270	33,3
300	F10	78	511	125	28	22	30	227	308	57,0
350	F12	78	571	150	36	27	37	256	330	87,0
400	F12	102	643	150	36	27	37	292	365	107,0
450	F14	114	684	175	48	36	50	311	400	152,0
500	F14	127	745	175	48	36	50	340	435	185,0
600	F16	154	863	210	60	46	64	398	510	254,0

Other diameter on request