

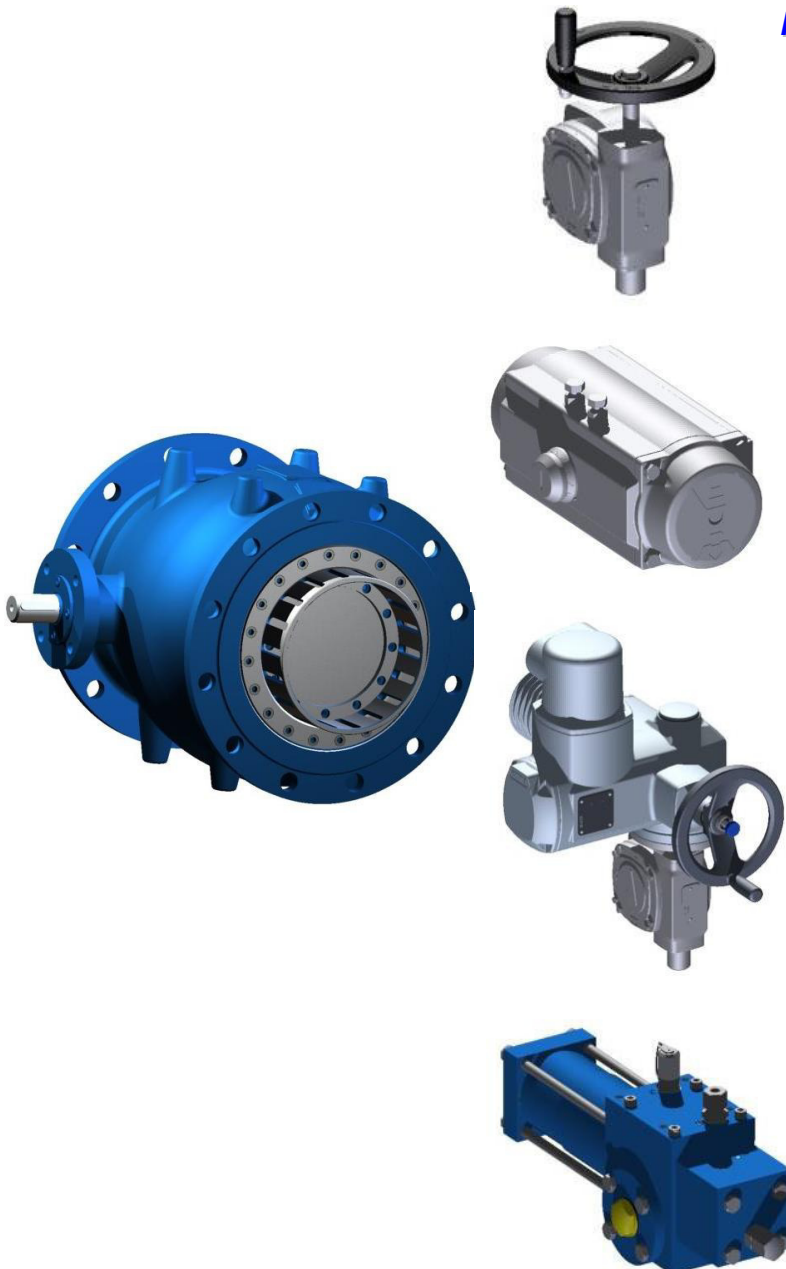
Soft-sealing needle valve, externally controlled, for stepless Regulation of flow rates or pressures. These valves are according to precise calculations individually relevant to the adapted conditions and can thereby their demanding best meet task.

Product features:

- Face to Face acc. EN 558-1 Line 15 (DIN3202/F5)
- Size: DN80 to DN1600
- Flange acc. to DIN EN 1092-2 PN10-PN100
-
- Linear control characteristic
- Long life
- cylinder adapted to operating conditions
- exchangeable cylinder
- quadruple mounted cylinder

Materials

- **Body:**
 - ✚ EN-JS 1030 (GGG 40)
 - ✚ EN-JS 1050 (GGG 50)
Other materials on request
- **Piston:**
 - ✚ 1.4301 (stainless steel)
 - ✚ 1.4401 (stainless steel)
 - ✚ 1.4408 (stainless steel)
Other materials on request
- **Seat ring:**
 - ✚ 1.4301 (stainless steel)
 - ✚ 1.4401 (stainless steel)
 - ✚ 1.4408 (stainless steel)
Other materials on request
- **Stem:**
 - ✚ 1.4028 (stainless steel)
Other materials on request
- **Seal:**
 - ✚ HPU
Other materials on request



Corrosion protection:

- *EKB-powder coated, RAL5015, blue*
other coating systems and RAL colors on request

Application:

- *Water treatment*
- *Industry*
- *Process engineering*
- *Power plants*
- *Pumping stations*

Operation:

- *Gearbox in different materials*
- *Electric actuator*
- *Pneumatic actuator*
- *Hydraulic actuator*

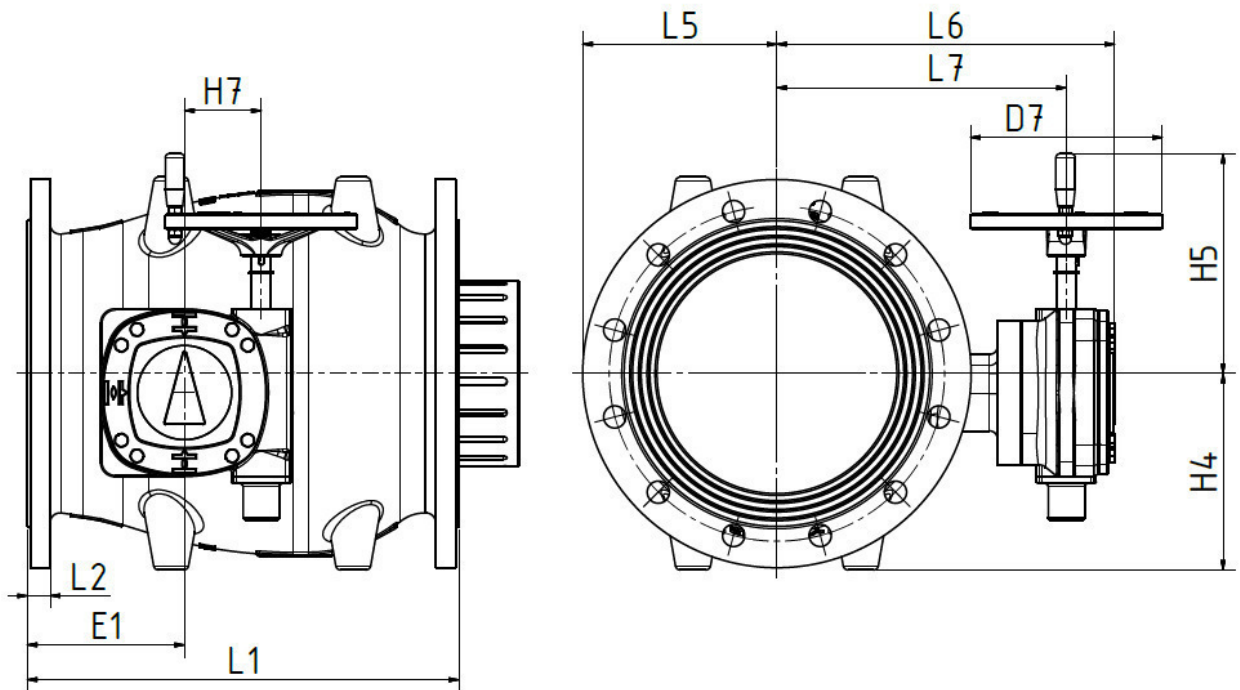
Assesoires

- *Limit switches*
- *Stem extensions*
- *Spindel extensions*

Our approvals



Dimensions and weight



PN10

Size DN	L1	L2	E1	L5	L6	L7	H4	H5	D7	weight
mm	mm	mm	mm	mm	mm	mm	mm	mm	mm	Kg.
80	280	19	109	100	258	170	115	211	175	31
100	300	19	120	110	273	185	125	211	175	38
125	325	19	120	125	325	225	140	244	200	41
150	350	19	134	143	305	205	163	239	200	67
200	400	20	160	170	373	273	190	239	200	106
250	450	22	164	198	400	300	198	244	200	145
300	500	25	185	223	452	352	223	264	200	195
350	550	25	200	253	535	410	253	393	250	290
400	600	25	230	283	565	440	283	393	250	335
450	650	26	235	308	595	470	308	393	250	495
500	700	27	245	335	625	500	335	393	250	470
600	800	30	318	390	688	563	390	393	250	700
700	900	33	310	448	772	647	448	398	250	1000
800	1000	35	325	508	825	700	508	398	250	1330
900	1100	38	350	558	878	753	558	494	250	1725
1000	1200	40	360	615	940	815	615	494	250	2265
1200	1400	45	425	728	1140	1015	728	579	250	3530
1400	1600	46	475	838	1253	1128	838	579	250	5020

Other diameters on request

PN16

Size DN	L1	L2	E1	L5	L6	L7	H4	H5	D7	weight
mm	mm	mm	mm	mm	mm	mm	mm	mm	mm	Kg.
80	280	19	109	100	258	170	115	211	175	31
100	300	19	120	110	273	185	125	211	175	38
125	325	19	120	125	325	225	140	244	200	41
150	350	19	134	143	305	205	163	239	200	67
200	400	20	160	170	373	273	190	239	200	106
250	450	22	164	203	400	300	223	244	200	145
300	500	25	185	230	452	352	230	264	200	195
350	550	27	200	235	535	410	235	393	250	290
400	600	28	230	290	565	440	290	393	250	335
450	650	30	235	320	595	470	320	393	250	495
500	700	32	245	358	625	500	358	398	250	510
600	800	36	318	420	688	563	420	398	250	750
700	900	40	310	455	772	647	455	398	250	1005
800	1000	43	325	513	825	700	513	494	250	1330
900	1100	47	350	563	878	753	563	494	250	1770
1000	1200	50	360	628	940	815	628	494	250	2290
1200	1400	57	425	743	1140	1015	743	579	250	3575
1400	1600	60	475	843	1253	1128	843	654	250	5030

Other diameters on request

PN25

Size DN	L1	L2	E1	L5	L6	L7	H4	H5	D7	weight
mm	mm	mm	mm	mm	mm	mm	mm	mm	mm	Kg.
80	280	19	109	100	258	170	115	211	175	31
100	300	19	120	118	273	185	133	211	175	38
125	325	19	120	135	325	225	150	244	200	46
150	350	20	134	150	305	205	170	239	200	67
200	400	22	160	180	373	273	200	244	200	113
250	450	25	164	213	400	300	233	244	200	152
300	500	28	185	243	495	370	243	393	250	248
350	550	30	200	278	535	410	278	393	250	324
400	600	32	230	310	565	440	310	393	250	404
450	650	35	235	335	595	470	335	398	250	501
500	700	37	245	365	625	500	365	398	250	593
600	800	42	318	423	688	563	423	398	250	768

Other diameters on request