

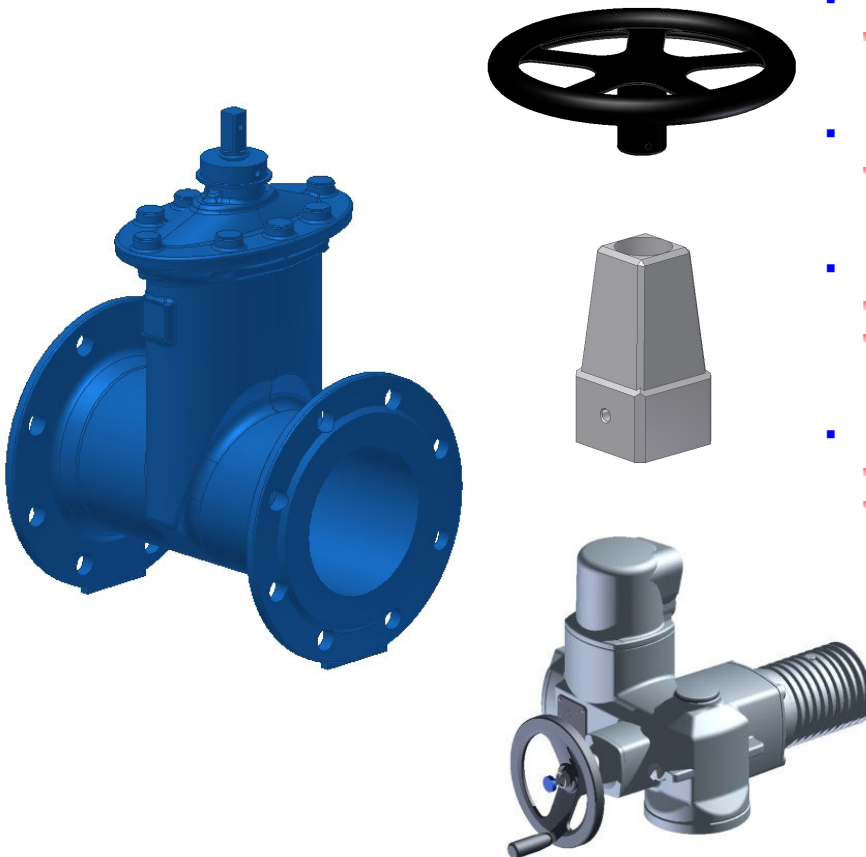
**Resilient seated gate valve EKB coated with all sides gummed shut-off wedge, internal spindle and maintenance-free storage, Running in long Face to Face length GR 15 DIN EN558 with drinking water approval DVGW KTW**

### Product features:

- Face to Face acc. to EN 558-1 Line 15
- Size: DN50 to DN500 other diameter on request
- Flange acc. to DIN EN 1092-2 PN10-PN16
- Maintenance free spindle storage
- shaped shut-off wedge, all sides gummed
- Flow-optimized smooth pipe bottom

### Material

- **Body:**
  - EN-JS 1030 (GGG 40)  
Other materials on request
- **Wedge:**
  - EN-JS1030 (GGG 40)  
Other materials on request
- **Spindel:**
  - 1.4021 (stainless steel)
  - 1.4571 (stainless steel)  
Other materials on request
- **Wedge gummed:**
  - EPDM-KTW
  - NBR  
Other materials on request



### Corrosion protection:

- EKB powder coats RAL 5015, blue  
*other coating systems and RAL colors on request*

### Application:

- Water treatment
- Industry
- Process engineering
- Petrochemistry
- Energy industry
- Gas distribution

### Operation:

- handwheel
- electric actuator

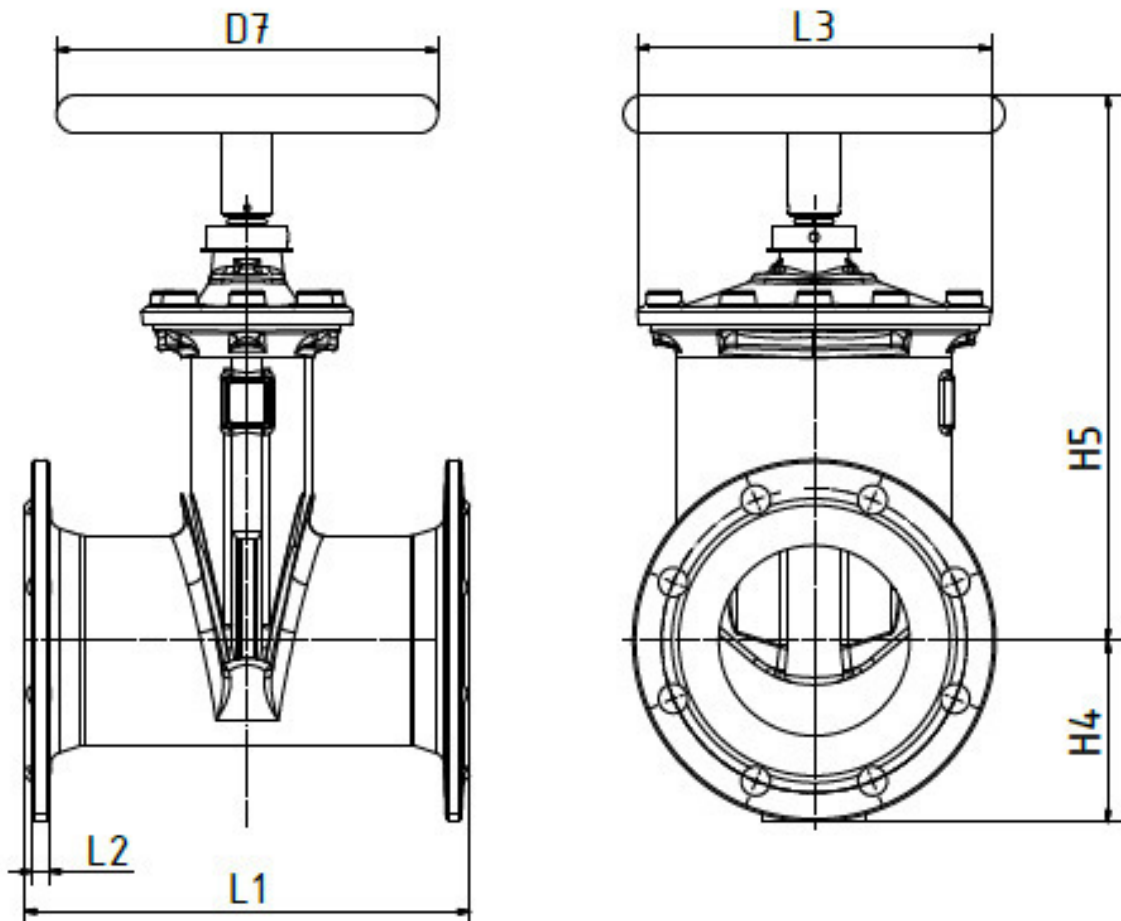
### Assesories:

- square cape
- limit switches

### Our approvals



### Dimensions and weight



Size DN	FTF L1	L2	L3	D7	H4	H5	weight
mm	mm	mm	mm	mm	mm	mm	Kg.
50	250	19	151	200	83	192	10
65	270	19	165	250	93	218	12
80	280	19	172	250	100	248	15
100	300	19	204	300	110	280	19
125	325	19	248	300	125	330	27
150	350	19	278	300	143	368	35
200	400	20	362	400	170	440	64
250	450	22	419	500	203	608	118
300	500	25	504	500	228	714	179
350	550	27	582	600	260	820	228
400	600	28	582	600	290	820	243
500	700	31	730	800	358	1040	509

other diameters on request