

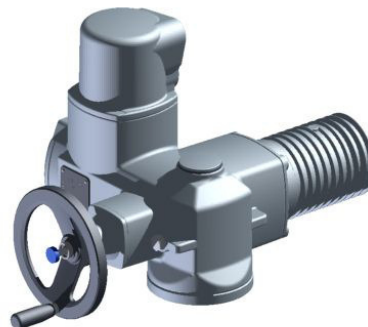
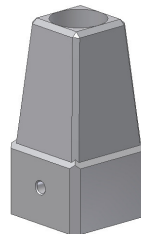
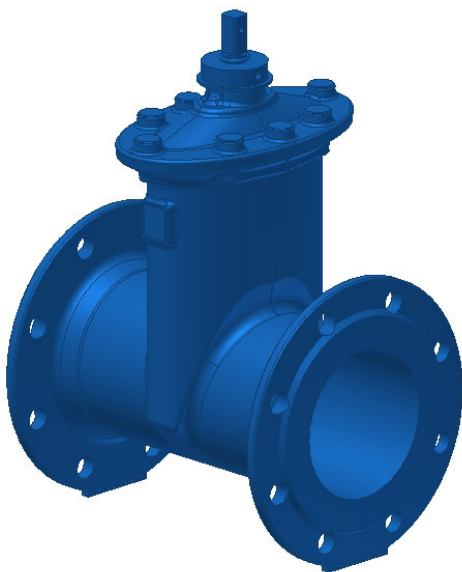
Resilient seated gate valve completely enamelled with all sides gummed shut-off wedge, internal spindle and maintenance-free storage, Running in long Face to Face length GR 15 DIN EN558 with drinking water approval DVGW KTW

Product features:

- Face to Face acc. to EN 558-1 Line 15
- Size: DN40 to DN400 other diameter on request
- Flange acc. to DIN EN 1092-2 PN10-PN16
- Maintenance free spindle storage
- shaped shut-off wedge, all sides gummed
- Flow-optimized smooth pipe bottom

Material

- **Body:**
 - EN-JS 1030 (GGG 40)
Other materials on request
- **Wedge:**
 - EN-JS1030 (GGG 40)
Other materials on request
- **Spindel:**
 - 1.4021 (stainless steel)
 - 1.4571 (stainless steel)
Other materials on request
- **Wedge gummed:**
 - EPDM-KTW
 - NBR
Other materials on request



Corrosion protection:

- *Inside and outside enamelled, blue*
other coating systems and RAL colors on request

Application:

- *Water treatment*
- *Industry*
- *Process engineering*
- *Petrochemistry*
- *Energy industry*
- *Gas distribution*

Operation:

- *handwheel*
- *electric actuator*

Assesories:

- *square cape*
- *limit switches*

Our approvals

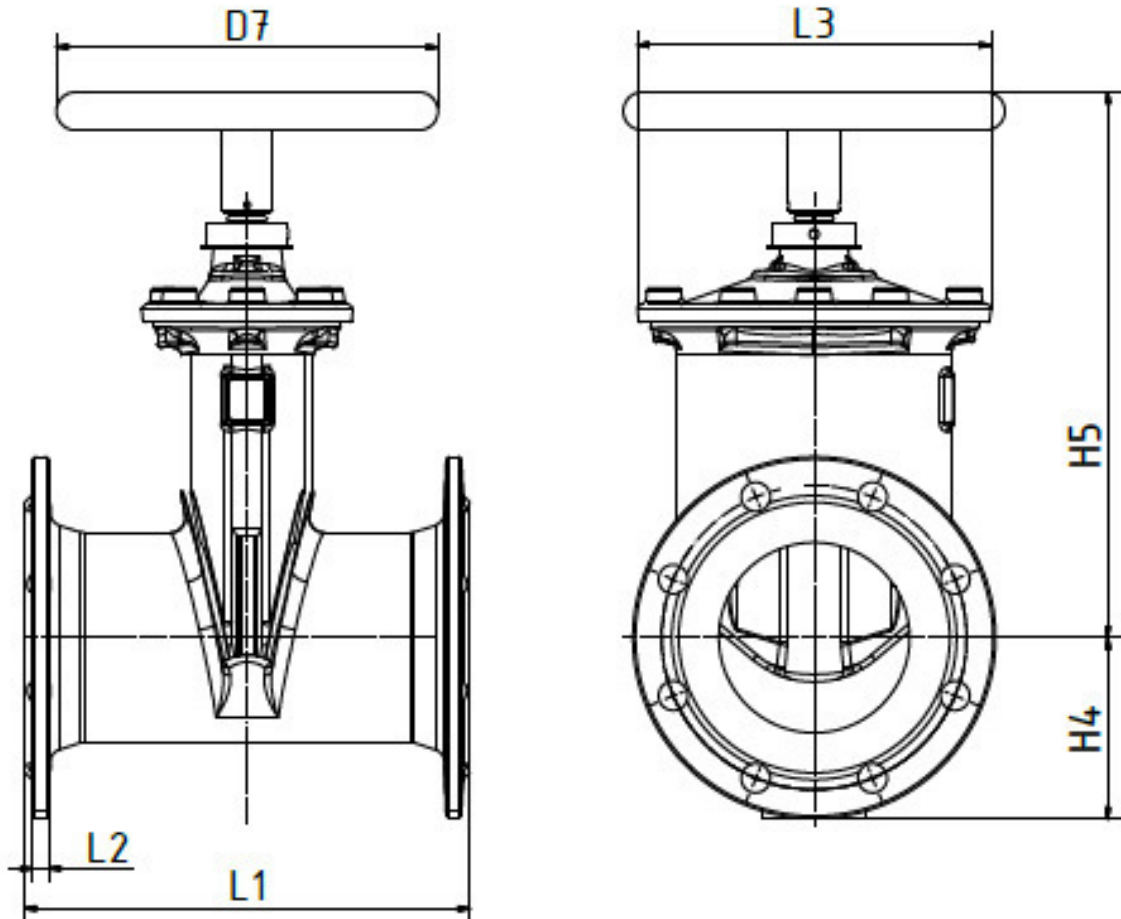


Dimension sheet „Gate Valve“

CENTER TECH Gate Valve Type Portus OS with handwheel
(enamelled)



Dimensions and weights



Size DN	FTF L1	L2	L3	D7	H4	H5	weight
mm	mm	mm	mm	mm	mm	mm	Kg.
40	240	19	165	200	78	196	11
50	250	19	165	200	117	196	12
65	270	19	166	250	93	290	18
80	280	19	166	250	100	290	20
100	300	19	186	315	110	320	25
125	325	19	225	315	125	320	32
150	350	19	275	315	143	410	48
200	400	20	330	400	170	520	81
250	450	22	414	400	200	620	119
300	500	25	480	400	230	685	167
400	600	25	580	640	290	1000	320

andere Durchmesser auf Anfrage