

Resilient seated knife gate valve in intermediate flange for Flanging between pipe flange or end of line, optionally available with individual screens for control tasks. Versatile, for example in the oil and gas industry and in the Energy or wastewater treatment.

Product features:

- Face to Face acc. to EN 558-1 Line 20 (DIN3202/K1)
- Size: DN50 bis DN1400
- Flange acc. to DIN EN 1092-2 PN6-PN16
- for end line service
- Self-cleaning design
- short Face to Face
- available with 60° V- screens or 90° V- screens

Material

Body:

- EN-JS 1030 (GGG 40)
- EN-JL-1040 (GG 25)
- 1.4408 (stainless steel)
- 1.4469 (Duplex)

Other materials on request

Plate:

- 1.4401 (stainless steel)
- 1.4571 (stainless steel)
- 1.4547 (stainless steel)
- 1.4469 (Duplex)
- 1.4547 (Super Duplex)

Other materials on request

Spindel:

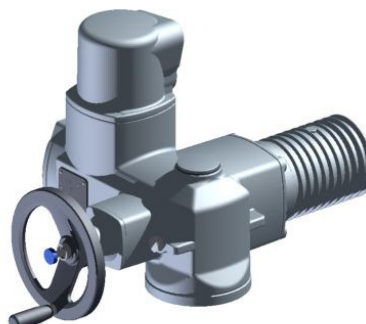
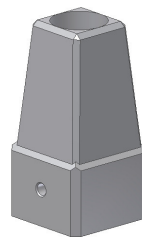
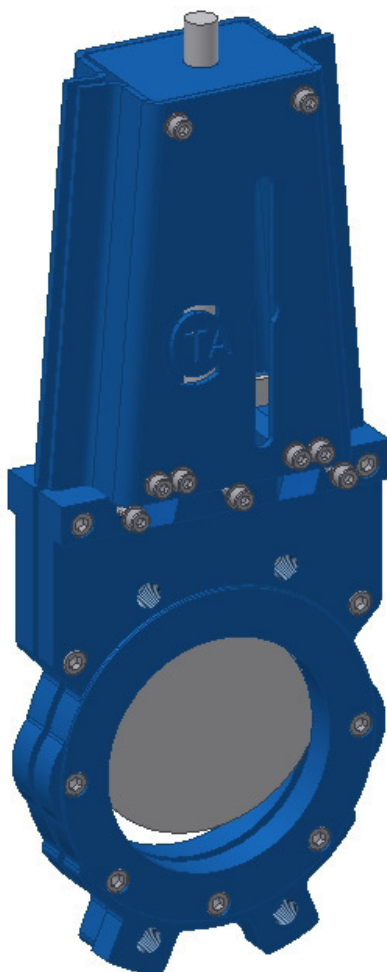
- 1.4104 (stainless steel)
- 1.4401 (stainless steel)
- 1.4542 (stainless steel)

Other materials on request

Seal:

- NBR
- EPDM
- PTFE
- VITON
- SILIKON

Other materials on request



Corrosion protection:

- *EKB-Powder coated, RAL5017, blue*

Other coating systems and RAL colors on request

Application:

- *Water treatment*
- *Industry*
- *Process engineering*
- *petrochemistry*
- *Energy industry*
- *Gas distribution*

Operation:

- *handwheel*
- *square cape*
- *Pneumatic actuator*
- *Electric actuator*

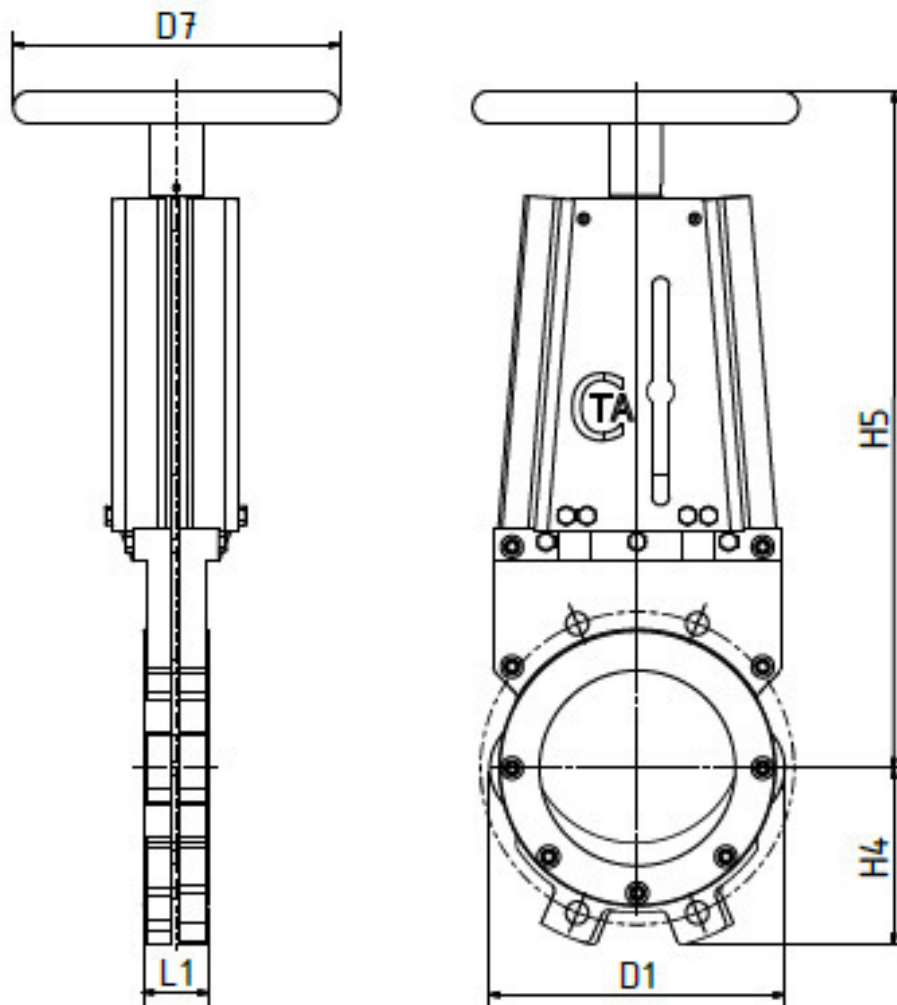
Assesories:

- *Limit switch*
- *Push rod*

Our approval



Dimensions and weight



Size DN	FTF L1	H4	H5	D1	D7	weight
mm	mm	mm	mm	mm	mm	Kg.
50	43	63	267	125	175	9
65	46	73	293	145	175	10
80	46	80	334	160	225	13
100	52	90	371	180	225	15
125	56	105	411	210	225	18
150	56	120	500	240	300	29
200	60	148	602	295	300	41
250	68	178	703	355	300	60
300	78	205	835	410	400	79
350	78	235	921	470	400	130
400	90	263	1031	525	400	150
450	90	293	1161	585	500	220
500	95	325	1271	650	500	260
600	105	385	1458	770	500	340

other diameters on request