

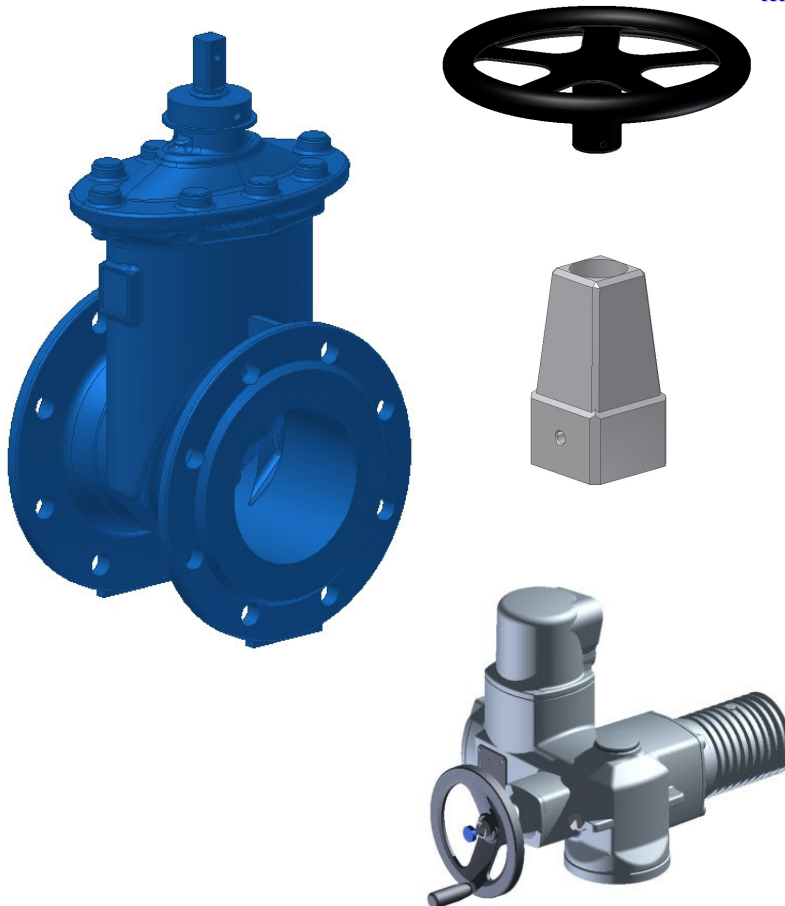
Resilient seated gate valve EKB coated with all sides gummed shut-off wedge, internal spindle and maintenance-free storage, Running in short Face to Face length GR 14 DIN EN558 with drinking water approval DVGW KTW

Product features:

- Face to Face acc. to EN 558-1 Line 14
- Size: DN50 to DN600 other diameter on request
- Flange acc. to DIN EN 1092-2 PN10-PN16
- Maintenance free spindle storage
- shaped shut-off wedge, all sides gummed
- Flow-optimized smooth pipe bottom

Material

- **Body:**
 - EN-JS 1030 (GGG 40)
Other materials on request
- **Wedge:**
 - EN-JS1030 (GGG 40)
Other materials on request
- **Spindel:**
 - 1.4021 (stainless steel)
 - 1.4571 (stainless steel)
Other materials on request
- **Wedge gummed:**
 - EPDM-KTW
 - NBR
Other materials on request



Corrosion protection:

- *EKB powder coated RAL 5015, blue*
other coating systems and RAL colors on request

Application:

- *Water treatment*
- *Industry*
- *Process engineering*
- *Petrochemistry*
- *Energy industry*
- *Gas distibution*

Operation:

- *handwheel*
- *electric actuator*

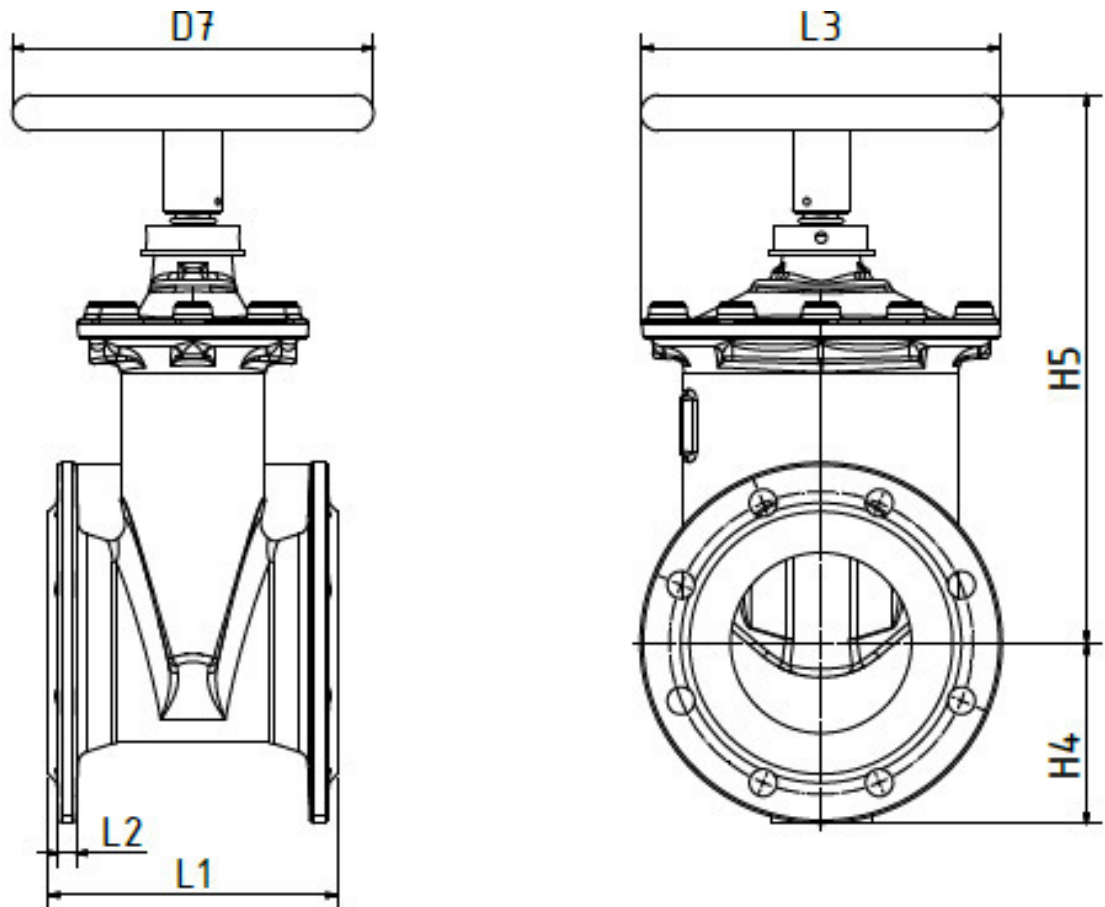
Assesories:

- *square cape*
- *limit switches*

Our approvals



Dimensions and weights



Size DN	FTF L1	L2	L3	D7	H4	H5	weight
mm	mm	mm	mm	mm	mm	mm	Kg.
50	150	19	151	200	83	210	9
65	170	19	165	250	93	235	11
80	180	19	172	250	100	265	14
100	190	19	204	300	110	293	17
125	200	19	248	300	125	343	24
150	210	19	278	300	143	380	31
200	230	20	362	400	170	465	57
250	250	22	430	500	200	573	93
300	270	24,5	485	500	228	675	134
350	290	26,5	585	600	260	820	212
400	310	28	585	600	290	820	226
500	350	31	730	800	358	1040	438
600	390	36	860	800	420	1240	637

other diameter on request