

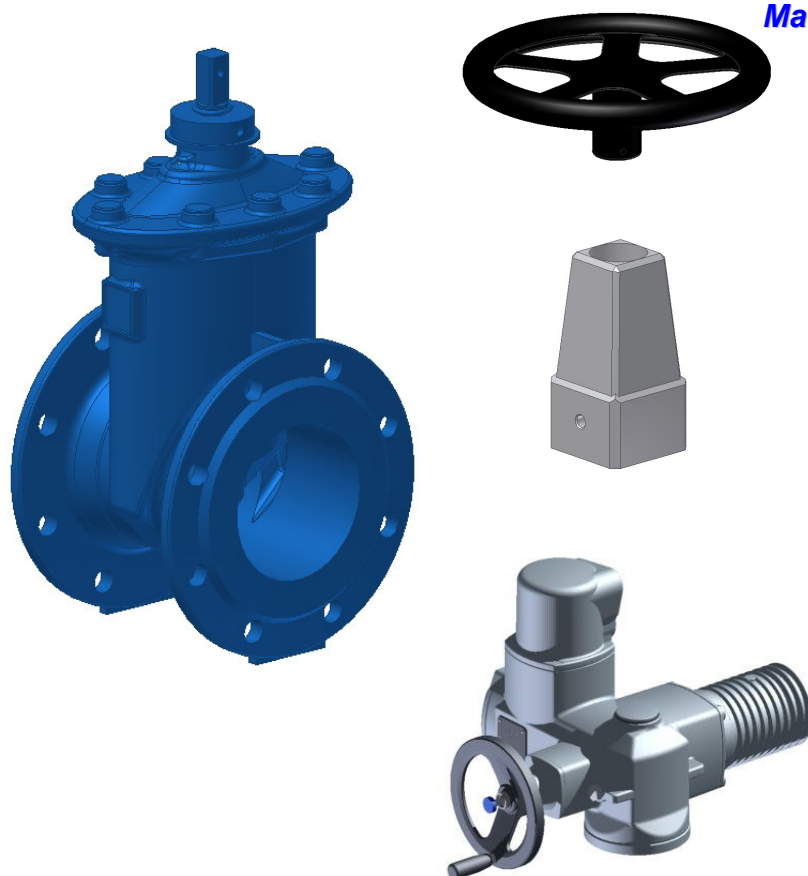
**Resilient seated gate valve completely enamelled with all sides gummed shut-off wedge, internal spindle and maintenance-free storage, Running in short Face to Face length GR 14 DIN EN558 with drinking water approval DVGW KTW**

### Product features:

- Face to Face acc. to EN 558-1 Line 14
- Size: DN40 to DN400 other diameter on request
- Flange acc. to DIN EN 1092-2 PN10-PN16
- Maintenance free spindle storage
- shaped shut-off wedge, all sides gummed
- Flow-optimized smooth pipe bottom

### Material

- **Body:**
  - EN-JS 1030 (GGG 40)  
Other materials on request
- **Wedge:**
  - EN-JS1030 (GGG 40)  
Other materials on request
- **Spindel:**
  - 1.4021 (stainless steel)
  - 1.4571 (stainless steel)  
Other materials on request
- **Wedge gummed:**
  - EPDM-KTW
  - NBR  
Other materials on request



### **Corrosion protection:**

- *Innside and outside enamelled, blue*  
*other coating systems and RAL colors on request*

### **Application:**

- *Water treatment*
- *Industry*
- *Process engineering*
- *Petrochemistry*
- *Energy industry*
- *Gas distibution*

### **Operation:**

- *handwheel*
- *electric actuator*

### **Assesories:**

- *square cape*
- *limit switches*

### **Our approvals**

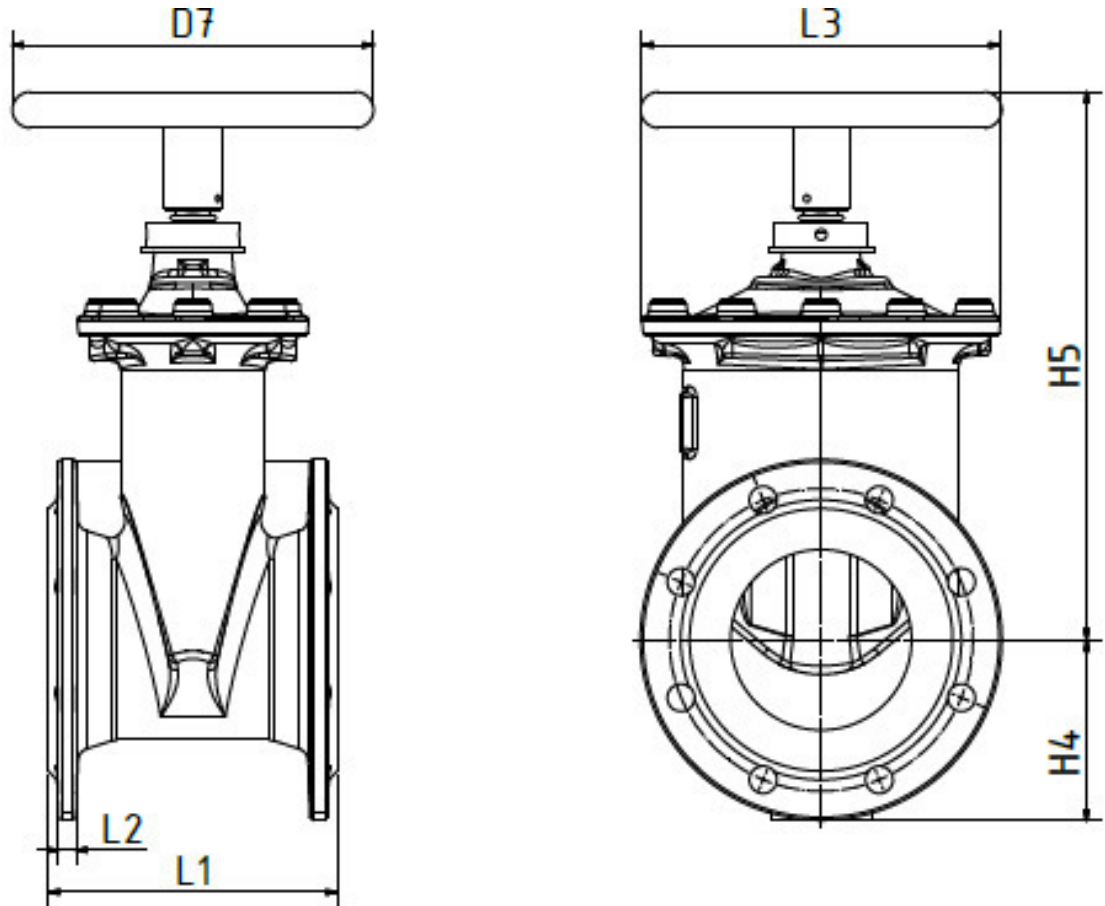


# Dimension sheet „Gate Valve“

**CENTER TECH** Gate Valve Type Portus FS with handwheel  
(enamelled)



## Dimensions and weights



Size DN	FTF L1	L2	L3	D7	H4	H5	weight
mm	mm	mm	mm	mm	mm	mm	Kg.
40	140	19	165	200	78	196	11
50	150	19	165	200	117	196	11
65	170	19	166	250	93	290	17
80	180	19	166	250	100	290	19
100	190	19	186	315	110	320	14
125	200	19	225	315	125	320	28
150	210	19	275	315	143	410	43
200	230	20	330	400	170	520	71
250	250	22	414	400	200	620	106
300	270	25	480	400	230	685	146
400	310	25	580	640	290	1000	290

andere Durchmesser auf Anfrage