

Resilient Seated double flange butterfly valve with extremely robust housing, streamlined, double eccentrically bearing disc, armored and finely worked stainless steel seat and a exchangeable profiled seal adapted to the operating medium, with EKB coating

product features:

- Face to Face acc. to EN 558-1 Line 14 (DIN3202/F4)
- Size: DN150 bis DN2600
- Flange acc. to DIN EN 1092-2 PN6-40 / ANSI150
- Soft seated
- Double eccentric bearing disc
- Maintenance Free Design



Materials

- **Body:**
 - ✚ EN-JS 1030 (GGG 40)
Other materials on request
- **Disc:**
 - ✚ EN-JS 1030 (GGG 40)
Other materials on request
- **Stem:**
 - ✚ 1.4021 (stainless steel)
 - ✚ 1.4301 (stainless steel)
 - ✚ 1.4401 (stainless steel)
 - ✚ 1.4462 (DUPLEX)
Other materials on request
- **Seal:**
 - ✚ EPDM / EPDM-KTW
 - ✚ NBR
Other materials on request
- **Seat ring:**
 - ✚ 1.4301 (stainless steel)
 - ✚ 1.4401 (stainless steel)
Other materials on request

Corrosion protection:

- *EKB-powder coated RAL5015, blue*

Other coating systems and RAL colors on request

Application:

- *Water treatment*
- *Industry*
- *process engineering*

Operation:

- *gearbox*
- *pneumatic actuator*
- *electric actuator*
- *hydraulic actuator*

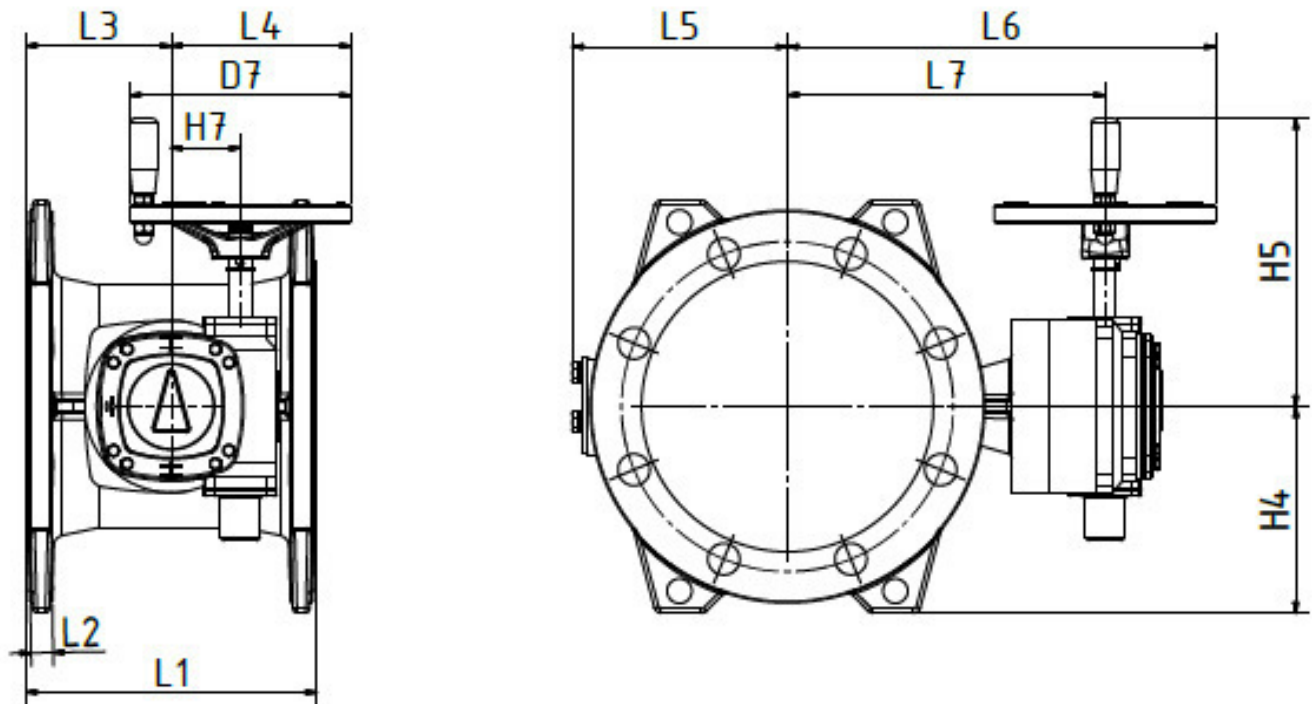
Accessories:

- *limit switches*
- *stem extension*
- *spindel extension*

Our approvals



Dimensions and weight



PN10

Size DN	FTF L1	L2	L3	L4	L5	L6	L7	H4	H5	H7	D7	weight
mm	mm	mm	mm	mm	mm	mm	mm	mm	mm	mm	mm	Kg
150	210	19	105	130	151	310	230	143	226	50	160	43
200	230	20	115	130	177	337	257	180	226	50	160	58
250	250	22	125	188	214	425	300	213	259	63	250	95
300	270	25	135	188	237	459	334	242	259	63	250	114
350	290	25	145	238	283	520	362	264	264	80	315	155
400	310	25	155	280	297	583	383	293	264	80	400	175
450	330	26	165	280	333	647	447	320	264	80	400	220
500	350	27	175	300	344	697	497	345	393	100	400	285
600	390	30	195	300	414	725	525	400	393	100	400	345
700	430	33	215	325	511	768	568	460	398	125	400	530
800	470	35	235	325	530	853	653	520	398	125	400	680
900	510	38	255	360	618	950	750	568	429	160	400	915
1000	550	40	275	400	650	989	789	625	494	200	400	1130
1200	630	45	315	400	782	1073	873	738	494	200	400	1965

Other diameter on request

PN16

Size DN	FTF L1	L2	L3	L4	L5	L6	L7	H4	H5	H7	D7	weight
mm	mm	mm	mm	mm	mm	mm	mm	mm	mm	mm	mm	Kg
150	210	19	105	130	151	310	230	143	226	50	160	43
200	230	20	115	130	177	337	257	180	226	50	160	58
250	250	22	125	188	214	425	300	213	259	63	250	95
300	270	25	135	188	237	459	334	242	259	63	250	114
350	290	27	145	238	283	520	362	272	264	80	315	160
400	310	28	155	280	297	583	383	300	264	80	400	208
450	330	30	165	280	333	647	447	330	264	80	400	240
500	350	32	175	300	344	697	497	370	393	100	400	325
600	390	36	195	325	414	725	525	432	398	125	400	435
700	430	40	215	360	511	768	568	467	429	160	400	610
800	470	43	235	360	530	853	653	525	429	160	400	775
900	510	47	255	400	618	950	750	573	494	200	400	1020
1000	550	50	275	400	650	989	789	638	494	200	400	1285
1200	630	57	315	450	782	1073	873	753	579	250	400	2285

Other diameter on request

PN25

Size DN	FTF L1	L2	L3	L4	L5	L6	L7	H4	H5	H7	D7	weight
mm	mm	mm	mm	mm	mm	mm	mm	mm	mm	mm	mm	Kg
150	210	20	105	130	151	310	230	150	226	50	160	48
200	230	22	115	188	198	387	262	190	259	63	250	66
250	250	25	125	238	250	470	312	223	264	80	315	160
300	270	28	135	238	277	504	346	253	264	80	315	187
400	310	32	155	258	342	559	401	320	393	100	315	289
500	350	37	175	360	410	697	497	375	474	160	400	470
600	390	42	195	360	461	725	525	433	474	160	400	690
800	470	51	235	450	590	918	668	560	604	200	500	1184
900	510	56	255	565	685	1105	790	610	679	250	630	1800
1000	550	60	275	565	741	1144	829	675	679	250	630	2084

Other diameter on request