

Soft-sealing control valve, self-operated i.e. without additional energy use, for the control of flow rates or pressures.

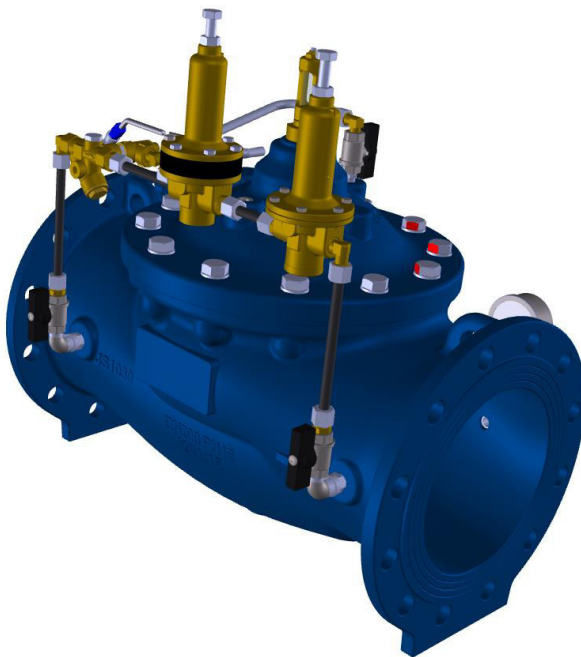
The respective installation situation determines the type of control, which is adapted individually.

This way we meet the reliable solution for the respective control task.

Product features:

- Face to Face acc. EN 558-1 Line 15 (DIN3202/F5)
- Size: DN50 to DN800
- Flange acc. to DIN EN 1092-2 PN10-PN63

- Self operated
- No separate confirmation required
- Protection against overpressure
- Flow control



Material

- **Body:**
 - ✚ EN-JS 1030 (GGG 40)
Other materials on request
- **Piston:**
 - ✚ 1.4301 (stainless steel)
 - ✚ 1.4401 (stainless steel)
Other materials on request
- **Seat ring:**
 - ✚ 1.4408 (stainless steel)
Other materials on request
- **Stem:**
 - ✚ 1.4301 (stainless steel)
 - ✚ 1.4401 (stainless steel)
Other materials on request
- **Seal:**
 - ✚ EPDM
Other materials on request
- **Diaphragm:**
 - ✚ NBR
Other materials on request

Corrosion protection:

- *EKB-powder coated, RAL5015, blue*
other coating systems and RAL colors on request

application:

- *Water treatment*
- *Industry*
- *Process engineering*
- *Power plants*

operation:

- *Automatic*
- *float-controlled*

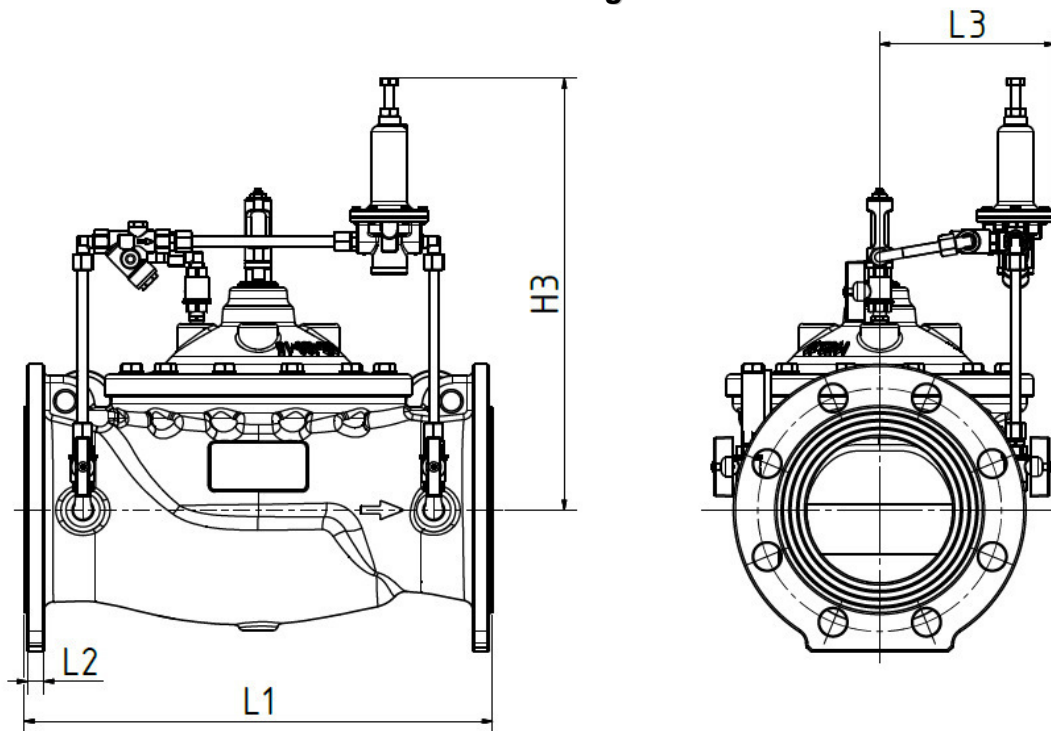
Function:

- *Pressurisation*
- *Pressure control*
- *Pressure reduction*
- *Flow control*
- *Reservoir filling*

Our approvals



dimensions and weight



| Size DN | FTF L1 | L2 | | | L3 | H3 | weight |
|------------|-----------|------|------|------|-----|------|--------|
| | | mm | | | | | |
| | | PN10 | PN16 | PN25 | | | |
| 50 | 230 | 16 | 16 | 18 | 170 | 220 | 20 |
| 65 | 290 | 16 | 16 | 20 | 180 | 250 | 24 |
| 80 | 310 | 18 | 18 | 22 | 200 | 280 | 30 |
| 100 | 350 | 18 | 18 | 22 | 210 | 310 | 43 |
| 125 | 400* | 20 | 20 | 24 | 230 | 380 | 48 |
| 150 | 480 | 20 | 20 | 26 | 250 | 420 | 70 |
| 200 | 600 | 22 | 22 | 28 | 280 | 520 | 118 |
| 250 | 730 | 24 | 24 | 30 | 300 | 600 | 173 |
| 300 | 850 | 24 | 26 | 32 | 340 | 740 | 280 |
| 400 | 1100 | 24 | 30 | 38 | 390 | 810 | 550 |
| 500 | 1250 | 26 | 42 | 46 | 460 | 890 | 873 |
| 600 | 1450 | 26 | 52 | 56 | 540 | 970 | 1400 |
| 700 | 1650 | 28 | 34 | 44 | 590 | 1020 | 1950 |
| 800 | 1850 | 30 | 36 | 48 | 640 | 1070 | 2050 |

*DN125 PN25 Face to Face length L=350

Other diameter on request