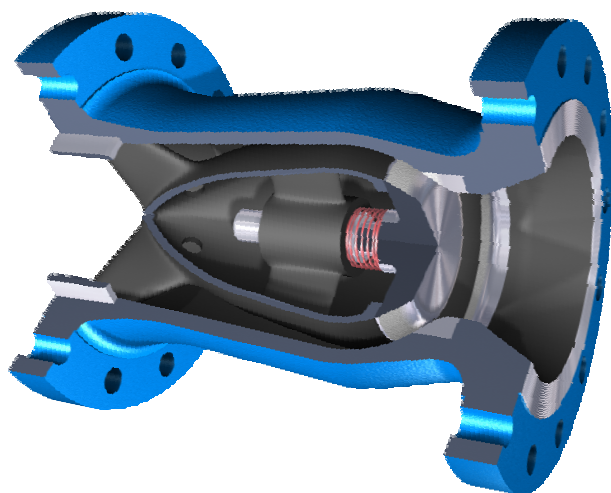


Metallic sealing check valve, maintenance-free and quiet closing without additional damping, valve disc and seat ring in stainless steel for use in energy, industry and water treatment and distribution.

Product features:

- Face to Face see dimension sheet
- Size: DN32 to DN2200
- Flange connection acc. DIN EN 1092-2 PN10-PN400 / ANSI 150-ANSI2500

- Quiet closing
- Very low pressure loss
- Metallic sealing
- Maintenance free
- lightness



Material

▪ Body:

- 🚩 EN-JS 1030 (GGG 40)
- 🚩 1.4408 (stainless steel)
- 🚩 ASTM 216 WCB

Other materials on request

▪ Plate:

- 🚩 1.4057 (stainless steel)
- 🚩 1.4059 (stainless steel)
- 🚩 1.4581 (stainless steel)

Other materials on request

▪ Seat:

- 🚩 1.4057 (stainless steel)
- 🚩 1.4059 (stainless steel)
- 🚩 1.4571 (stainless steel)

Other materials on request

▪ Spring:

- 🚩 1.4571 (stainless steel)

Other materials on request

Corrosion protection

- *Inside and Outside Resicoat fusion-bonded epoxy, RAL5015 blue
other coatingsystems and RAL colors on request*

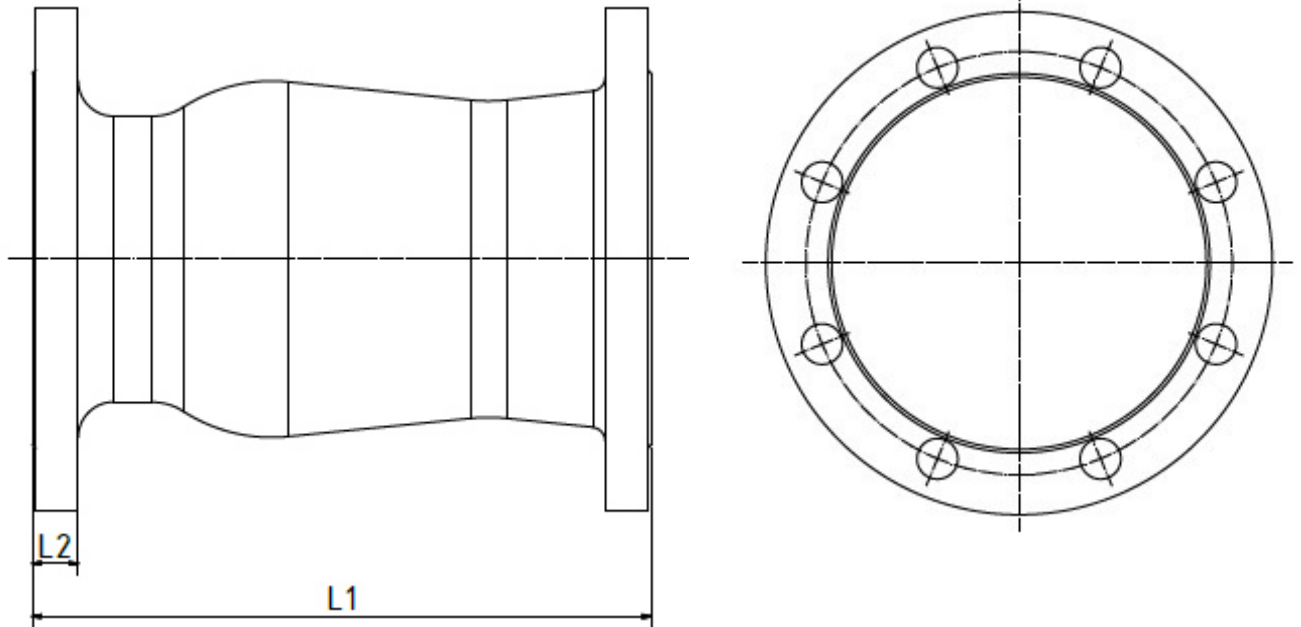
Application:

- *Water management*
- *Industry*
- *Building tecnology*
- *Petrochemical*
- *Process engineering*
- *Oil and gas industry*

Our approvals



Dimension and weight



Size DN	Face to Face L1	L2	weight
mm	mm	mm	kg
25	100	18	4
32	100	18	5
40	120	18	6
50	120	20	10
65	150	22	13
80	180	24	18
100	240	24	25
125	300	26	36
150	350	28	52
200	450	34	85
250	500	34	85

Other diameters on request