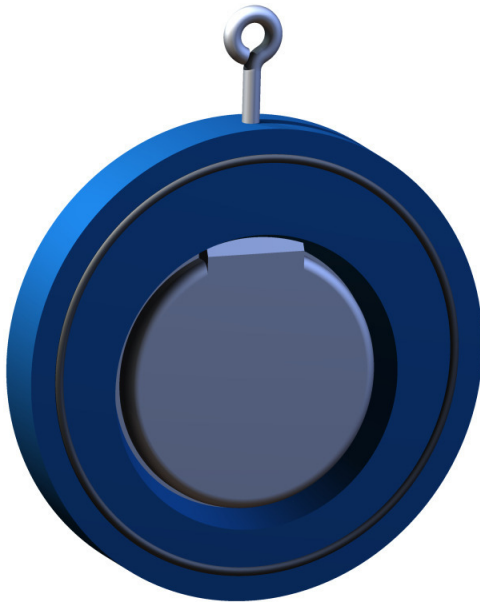


Soft seated check valve in intermediate flange for Installation between pipe flanges, even at low Pressure openable closure member for use in horizontal and vertical pipelines

Product features:

- Face to Face see dimension sheet
- Size: DN32 to DN600
- Flange connection acc. DIN EN 1092-2 PN10-PN16 / ANSI 150 /300

- Extrem short face to face
- For installation between flanges
- Soft- or metallic- sealing



Materials

▪ Body:

- 🚩 1.4408 (stainless steel)
- 🚩 1.4571 (stainless steel)
- 🚩 2.0975 (Alu bronze)
- 🚩 1.4469 (DUPLEX)
- 🚩 PVC, PP

Other materials on request

▪ Disc:

- 🚩 1.4408 (stainless steel)
- 🚩 1.4571 (stainless steel)
- 🚩 2.0975 (Alu bronze)
- 🚩 1.4469 (DUPLEX)
- 🚩 1.0619 (galvanized steel)

Other materials on request

▪ Seal:

- 🚩 NBR
- 🚩 EPDM / EPDM-KTW
- 🚩 FPM (Viton)
- 🚩 PTFE
- 🚩 METALLIC

Other materials on request

▪ Spring:

- 🚩 1.4571 (stainless steel)
- 🚩 2.4610 (Hastelloy)

Other materials on request

Application:

- *Water management*
- *Industry*
- *Building technology*
- *petrochemical*
- *Process- engineering*

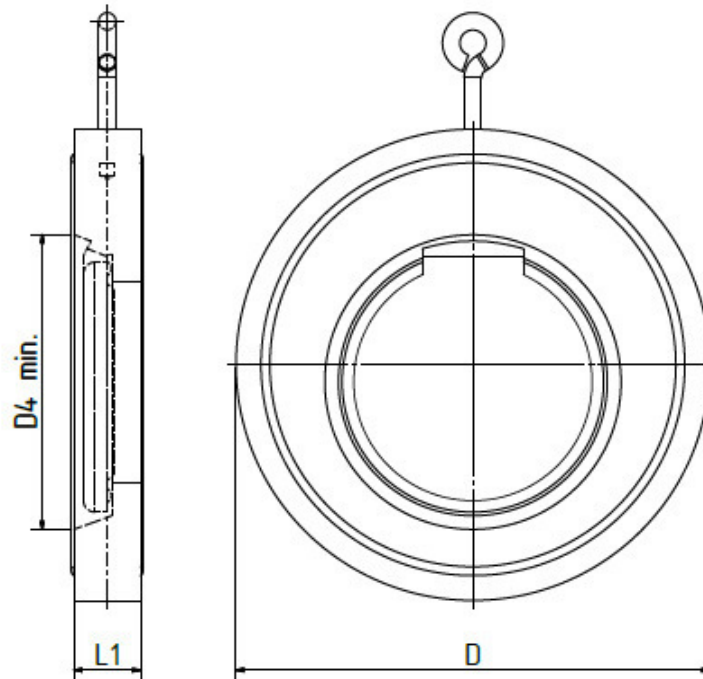
Accessoires:

- *Exit support*

Our Approvals



Dimensions and weight



Size DN	FTF L1	D							D4 min	weight
mm	mm	PN 6	PN 10	PN 16	PN 25	PN 40	PN 64	ANSI 150	mm	kg
32	15	79	85	85	85	85	-	74	37	0,5
40	16	89	95	95	95	95	106	83	43	0,8
50	14	98	109	109	109	109	115	105	54	1
65	14	118	129	129	129	129	140	124	70	1,4
80	14	134	144	144	144	144	150	137	82	1,8
100	18	154	164	164	170	170	176	175	106	2,9
125	18	184	195	195	196	196	214	197	131	3,9
150	20	209	220	220	226	226	251	222	159	4,5
200	22	264	275	275	286	294	313	279	207	7,5
250	26	319	330	331	344	356	368	340	260	13
300	32	375	380	386	404	421	428	410	309	23
350	38	425	440	446	461	478	490	451	341	34
400	44	475	491	499	518	550	547	514	392	52
450	52	-	541	558	-	-	-	549	442	71
500	58	580	596	621	628	632	-	606	493	94
600	62	681	698	738	735	-	-	718	595	128

Other diameters on request