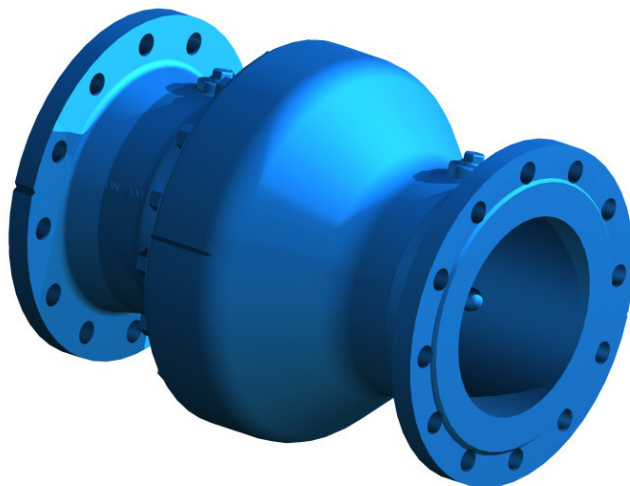


Soft seated check valve with diaphragm, durable and maintenance free, pressure-shock-absorbing, suitable for any installation position. Applications include water treatment, water distribution and industrial plants.

Futures:

- Face to Face acc. EN 558-1 Line 48 (DIN3202/F6)
- Size: DN50 to DN400
- Flange connection acc. DIN EN 1092-2 PN10-PN16

- No mechanical moving parts
- Soft seated
- aerodynamically
- low noise operation



Material

- **Body:**
 - EN- JS (GGG-40)
Other materials on request

- **Diaphragm:**
 - EPDM / KTW
 - NBR
Other materials on request

- **Bolts:**
 - stainless steel
Other materials on request

Corrosion protection:

- *EKB powder coated, RAL5015 blue*
other coating systems and RAL colors on request

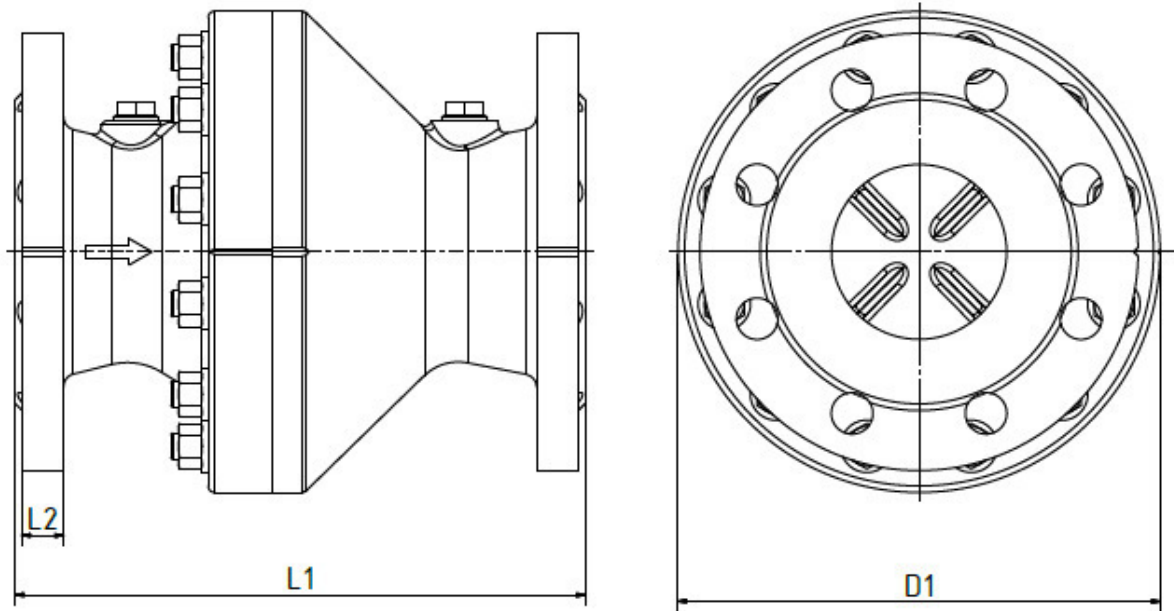
Application:

- *Water management*
- *Industry*
- *Building technology*

Our approvals



Dimensions and weights



Size DN	FTF L1	L2	D1	weight
mm	mm	mm	mm	kg
50	200	20	175	14
65	240	20	220	16
80	260	22	220	24
100	300	24	292	49
125	350	26	292	51
150	400	26	292	55
200	500	30	380	101
250	600	32	446	146
300	700	32	550	251
350	800	30	645	352
400	900	32	720	423

other diameters on request