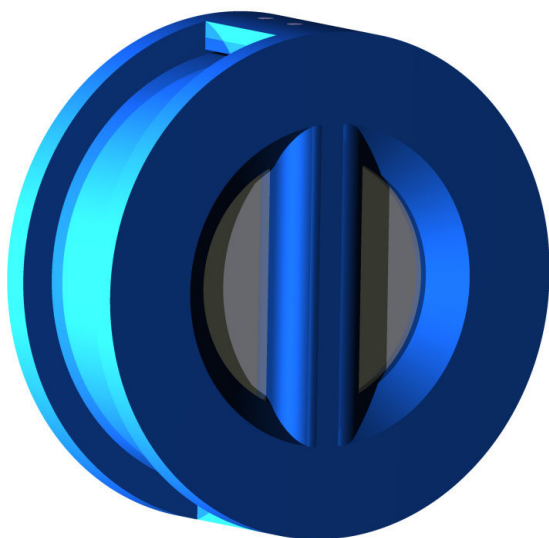


Soft seated check valve in intermediate flange for installation between pipe flanges, with two-piece Flap for use in horizontal and vertical piping

Features:

- Face to Face acc. EN 558-1 Line 16 (DIN3202/K3)
- Size: DN50 to DN600
- Flange connection acc. DIN EN 1092-2 PN6-PN16 / ANSI 150

- Maintenance free
- For installation between flanges
- Soft or metallic sealing
- Low cracking pressure
- Short face to face length



Material

Body:

- EN-JS 1030 (GGG 40)
- 1.4408 (stainless steel)
- C954 (Alu- Bronze)
- 1.4469 (Duplex)
- Hastelloy

other materials on request

Disc:

- EN-JS 1030 (GGG 40)
- 1.4408 (stainless steel)
- C954 (Alu- Bronze)
- 1.4469 (Duplex)
- Hastelloy

other materials on request

Stem:

- 1.4404 (stainless steel)
- C954 (Alu- Bronze)
- 1.4469 (Duplex)
- Hastelloy

other materials on request

Seal:

- EPDM
- NBR
- FPM (Viton)

other materials on request

Corrosion protection:

- *Inn- and outside EKB powder coated, RAL5010, blue
other coating systems and RAL colors on request*

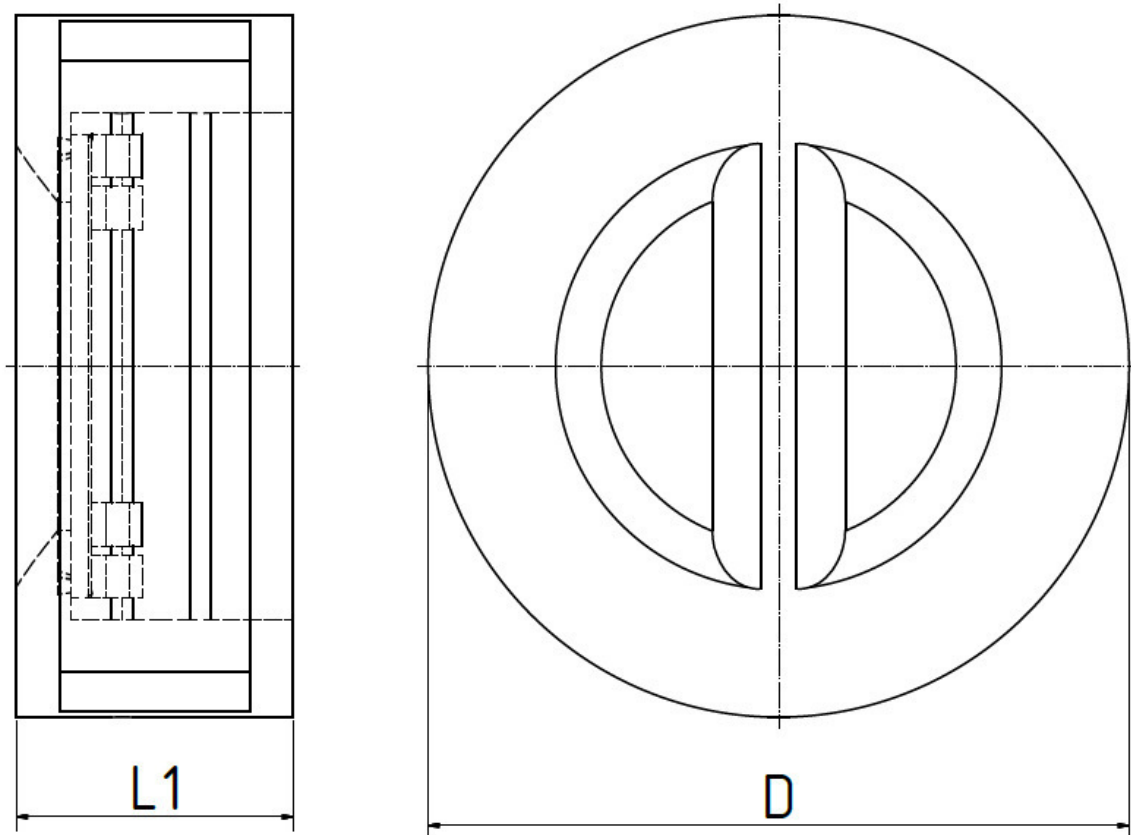
Application:

- *watermanagement*
- *Industry*
- *Process engineering*
- *Petrochemical*
- *Building technology*

Our approvals



dimensions and weight



Size DN	D			L1		weight
	PN 10	PN 16	ANSI 150	DIN EN558-1	API 594	Kg.
50	107		101	43	60	1,5
65	127		121	46	67	2,4
80	142		134	64	73	3,6
100	162		171	64	73	5,7
125	192		193	70	-	7,3
150	218		219	76	98	9
200	273		276	89	127	17
250	328		336	114	146	26
300	378	383	406	114	181	42
350	438	444	448	127	184	55
400	489	495	511	140	191	75
450	539	555	546	152	203	101
500	594	617	603	152	219	111
600	695	734	714	178	222	172

Other diameter on request