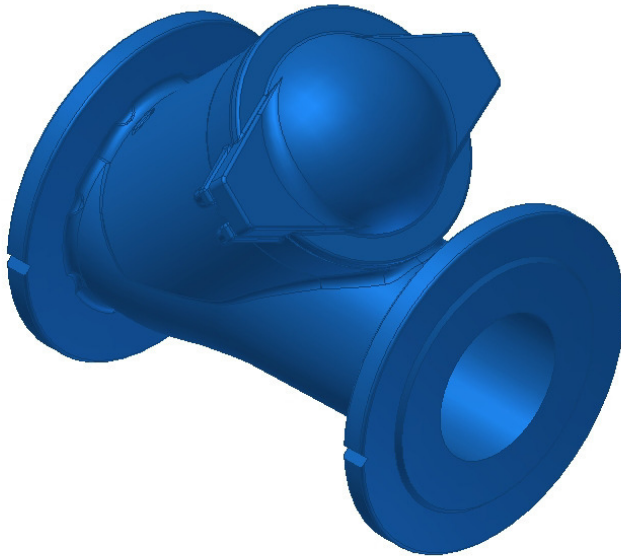


Resilient seated check valve with rubber ball, maintenance friendly, with free passage particularly suitable for use in sewers and in industry

Features:

- Face to Face acc. EN 558-1 Line 48 (DIN3202/F6)
- Size: DN40 to DN300
- Flange connection acc. DIN EN 1092-2 PN10

- With lifting device
- Soft sealing
- Maintenance friendly
- Soft close



Material

- **Body:**
 - EN-JS 1030 (GGG 40)
Other material on request

- **Ball:**
 - Aluminium
Other material on request

- **Gumming**
 - NBR
Other material on request

- **bolts and nuts:**
 - 1.4301(stainless steel)
Other material on request

Corrosion protection:

- *EKB Powder coated, RAL5010, blue*
other coating systems and RAL colors on request

application:

- *Water management*
- *Industry*
- *Process engineering*

Our approvals

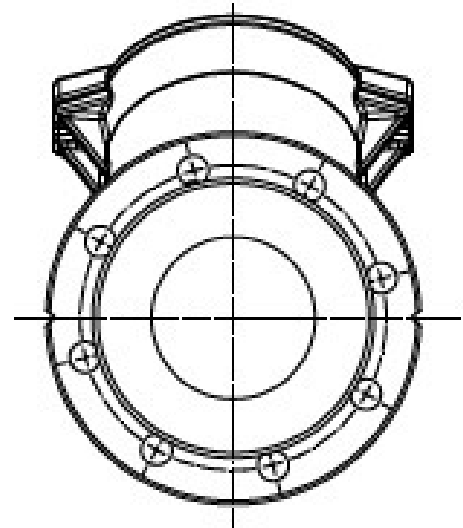
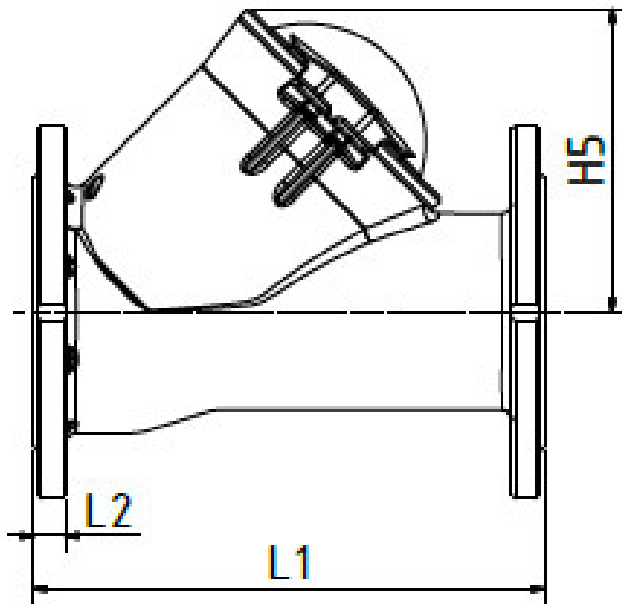


Dimension sheet „Check Valve“

CENTER TECH Ball Check Valve type BC



dimensions and weight



| Size DN | F-T-F L1 | L2 | H5 | Ball | weight |
|------------|-------------|------|-----|------|--------|
| mm | mm | mm | mm | mm | kg |
| 40 | 180 | 18 | 90 | 50 | 3,5 |
| 50 | 200 | 19 | 105 | 60 | 4 |
| 65 | 230 | 19 | 125 | 80 | 12 |
| 80 | 260 | 19 | 155 | 95 | 15 |
| 100 | 300 | 19 | 170 | 119 | 23 |
| 125 | 350 | 19 | 210 | 150 | 34 |
| 150 | 400 | 19 | 240 | 180 | 47 |
| 200 | 500 | 20 | 320 | 248 | 86 |
| 250 | 600 | 22 | 420 | 310 | 145 |
| 300 | 700 | 24,5 | 470 | 360 | 209 |

Other diameter on request