

**3-way aeration venting valve for water, EKB-coated, large nozzle
With sealing set of bronze and small nozzle with self-cleaning roller seal**

product features:

- Size: DN50 to DN300
- Flange acc. to DIN EN 1092-2 PN10-PN25
- protection against negative pressure / vacuum
- Automatic air-venting
- duration and operational venting
- Pressure range PN10 0,1 – 10 bar
- Pressure range PN16 0,2 – 16 bar
- Pressure range 0,2 – 25 bar



materials

- **Body:**
 - ✚ EN-JS 1050 (GGG 50)
Other materials on request
- **Swimmer:**
 - ✚ Polycarbonat
Other materials on request
- **Seal:**
 - ✚ EPDM
 - ✚ Viton
Other materials on request
- **Sealing seat**
 - ✚ Bronze
 - ✚ Stainless steel
 - ✚ Duplex
Other materials on request
- **Body upper part:**
 - ✚ Nylon fiber reinforced
Other materials on request

Corrosion protection:

- *EKB-powder coated, 250µm, RAL5005, blue*
other coating systems and RAL colors on request

Application:

- *Water management*
- *Industry*
- *process engineering*
- *Plant construction*

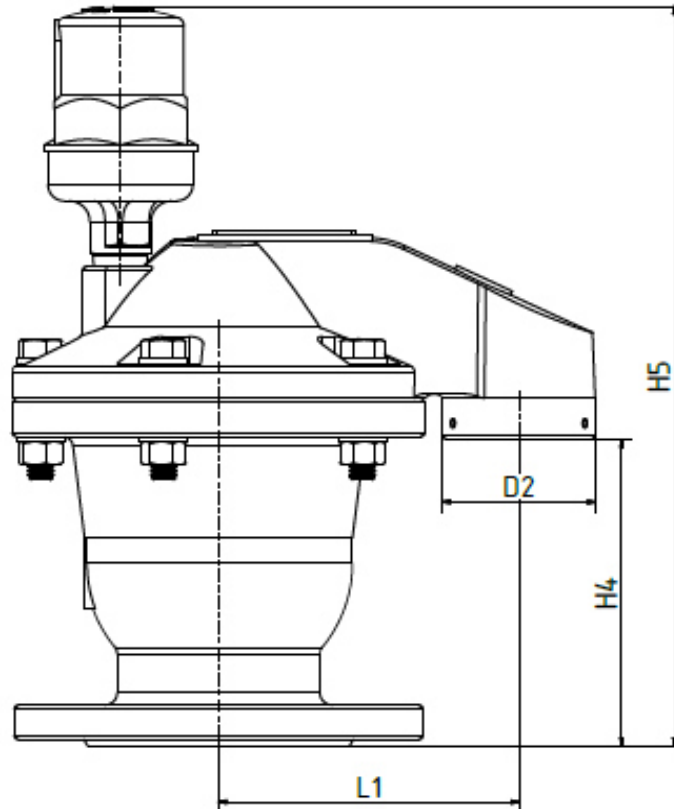
Accessories:

- *flushing tap*
- *ventilation spear*

our approvals



dimensions and weight



Size DN	big nozzle mm ²	Vent connection arrangement	D2 mm	L1 mm	H4 mm	H5 mm	weight Kg.
50	794	↶	1,5" IG	80	212	330	7
80	1.809		2" IG	147	151	364	14
100	3.317	↷	80	175	160	385	26
150	7.850		90	295	330	679	41
200	17.662		124	295	330	679	85
250	31.400	↑	-	-	-	866	135
300	49.087		-	-	-	980	162

Other diameters on request