

*Soft seated butterfly valve in intermediate flange for flanging between Flanges or as end line service, with flow optimized, centric disc, self stable, removable seat ring and one-piece, triple bearing drive shaft*

### Product features:

- Face to Face acc. EN 558-1 Line 20 (DIN3202/K1)
- Size: DN40 to DN1200, other sizes on request
- Flange acc. to DIN EN 1092-2 PN6-PN40 / ANSI / JIS / BS
  
- For mounting as end line service
- Self stable seating, vulcanized on backing ring
- Soft sealing
- centric disc
- one piece stem, triple bearing
- Installation without additional flange seals

### Material

#### Body:

- EN-JS 1030 (GGG 40)
- EN-JS 1049 (GGG 40.3)
- GS-C25 (WCB)
- C958 (Alu- Bronze)
- Titan

Other Materials on request

#### Disc:

- WCB ASTM A216 rubber lined
- 1.4469 (Superduplex)
- C958 (Alu- Bronze)
- 2.4883 (Hastelloy C)
- Titan

Other Materials on request

#### Stem:

- 1.4005 (stainless steel)
- 1.4542 (stainless steel)
- Monel K500
- AISI 316,316L,416
- 1.4501 (Superduplex)
- Titan

Other Materials on request

#### Seal:

- NBR
- EPDM
- H-NBR
- FPM (Viton)
- CSM (Hypalon)
- CR (Neoprene)

Other Materials on request



### Corrosion protection:

- Galvanized and chromated, with 2-K-Coating, RAL5015, blue  
Other coating systems and RAL colors on request

### Application:

- Industry
- Process- Engineering
- Petrochemical
- Energy industry
- Gas distribution

### Operation:

- Handlever made of different materials
- Gearbox made of different materials
- Pneumatic
- Electric
- Hydraulic
- Sprocket
- Swimmer controlled

### Assesories

- Limit switches
- Stem extension
- Spindel extension
- Mounting bracket

### Our approvals

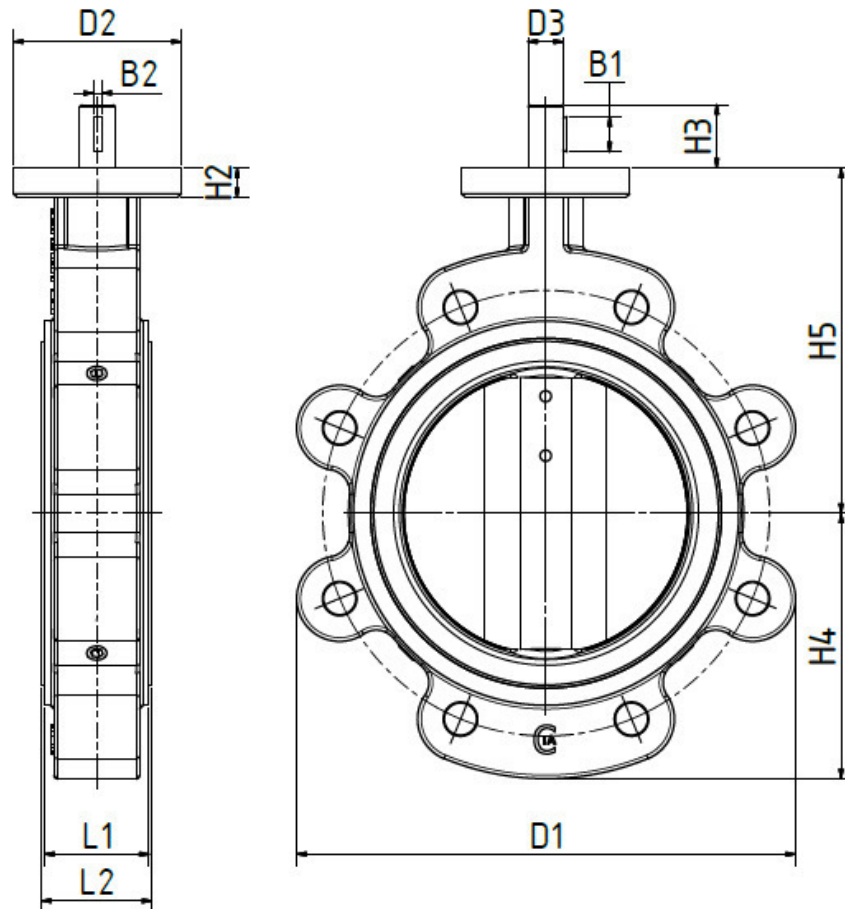


# Dimension sheet „Butterfly Valves“

**CENTER TECH** BFL lug type Bare shaft



## Dimension and weight



Size DN	ISO Flange	FTF		B1	B2	D1	D2	D3	H2	H3	H4	H5	weight
mm		L1 mm	L2 mm	mm	mm	mm	mm	mm	mm	mm	mm	mm	Kg.
40	F05/F07	33	36	13	3,18	115	90	12,70	13	32	65	130	2,7
50	F05/F07	43	46	13	3,18	118	90	12,70	13	32	78	124	3,4
65	F05/F07	46	49	13	3,18	164	90	12,70	13	32	88	134	4,5
80	F05/F07	46	49	13	3,18	183	90	12,70	13	32	98	141	6,1
100	F05/F07	52	56	19	4,76	206	90	15,88	13	34	110	156	6,8
125	F07	56	59	19	4,76	240	90	19,05	16	34	128	170	9,5
150	F07	56	59	19	4,76	268	90	19,05	16	34	143	186	11,2
200	F07/F10	60	65	19	4,76	335	125	22,20	16	45	180	218	22
250	F10	68	73	25	6,35	398	125	28,58	16	45	205	249	28
300	F12	78	81	25	6,35	465	150	31,75	20	45	250	285	47
350	F12	78	81	25	6,35	520	150	31,75	22	45	268	368	69
400	F12 (F14)	102	107	38	7,90	588	175	33,34	22	51	318	400	99
450	F14 (F16)	114	119	38	9,50	624	210	38,00	22	51	335	423	128
500	F14 (F16)	127	132	54	9,50	690	210	41,15	25	64	375	480	184
600	F16	154	160	57	12,7	816	210	50,80	26	76	460	562	265
700	F25	165	169	60	18	892	300	63,53	26	90	525	624	323
800	F25	190	195	60	18	1048	300	63,53	26	90	597	672	554
900	F25	203	211	110	20	1163	300	75,00	28	140	615	768	831
1000	F30	216	229	110	22	1235	300	85,00	28	130	701	823	1035
1200	F30	254	261	130	32	1450	350	115	30	160	840	880	1580

Other diameters on request