

Soft seated butterfly valve in intermediate flange for flanging between Flanges or as end line service, with flow optimized, centric disc, self stable, removable seat ring and one-piece, triple bearing drive shaft

Product features:

- Face to Face acc. EN 558-1 Line 20 (DIN3202/K1)
- Size: DN40 to DN600, other sizes on request
- Flange acc. to DIN EN 1092-2 PN6-PN40 / ANSI / JIS / BS

- For mounting as end line service
- Self stable seating, vulcanized on backing ring
- Soft sealing
- centric disc
- one piece stem, triple bearing
Installation without additional flange seals

Material

Body:

- EN-JS 1030 (GGG 40)
- EN-JS 1049 (GGG 40.3)
Other materials on request

Scheibe:

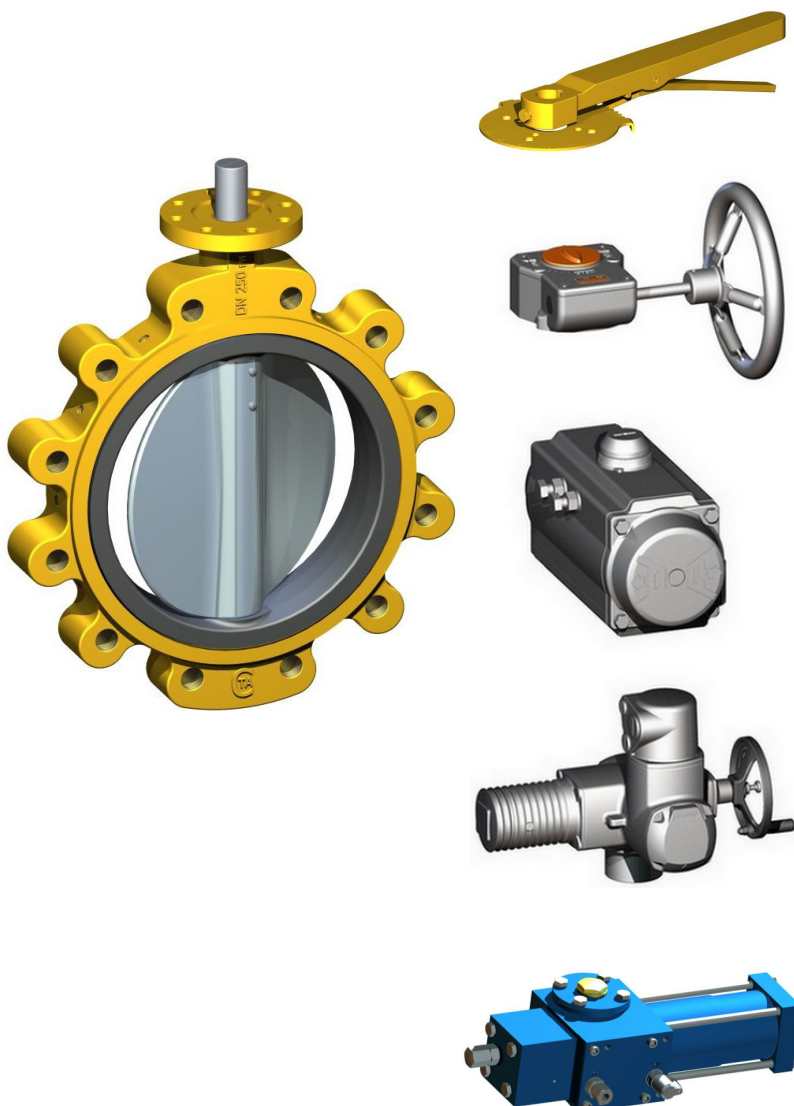
- 1.4408 (stainless steel)
Other materials on request

Stem:

- 1.4005 (stainless steel)
- 1.4542 (stainless steel)
- 17/4PH ASTM A564
Other materials on request

Seal:

- NBR-DVGW



Corrosion protection:

- Galvanized and chromated, with 2-K-Coating, RAL5015, blue
Other coating systems and RAL colors on request

Application:

- Industry
- Process engineering
- petrochemistry
- energy industry
- gas distribution

Operation:

- Handlever made of different materials
- Gearbox made of different materials
- Pneumatic
- Electric
- Hydraulic
- Sprocket

Assesories

- Limit switches
- Stem extension
- Spindel extension
- Mounting bracket

Our approvals

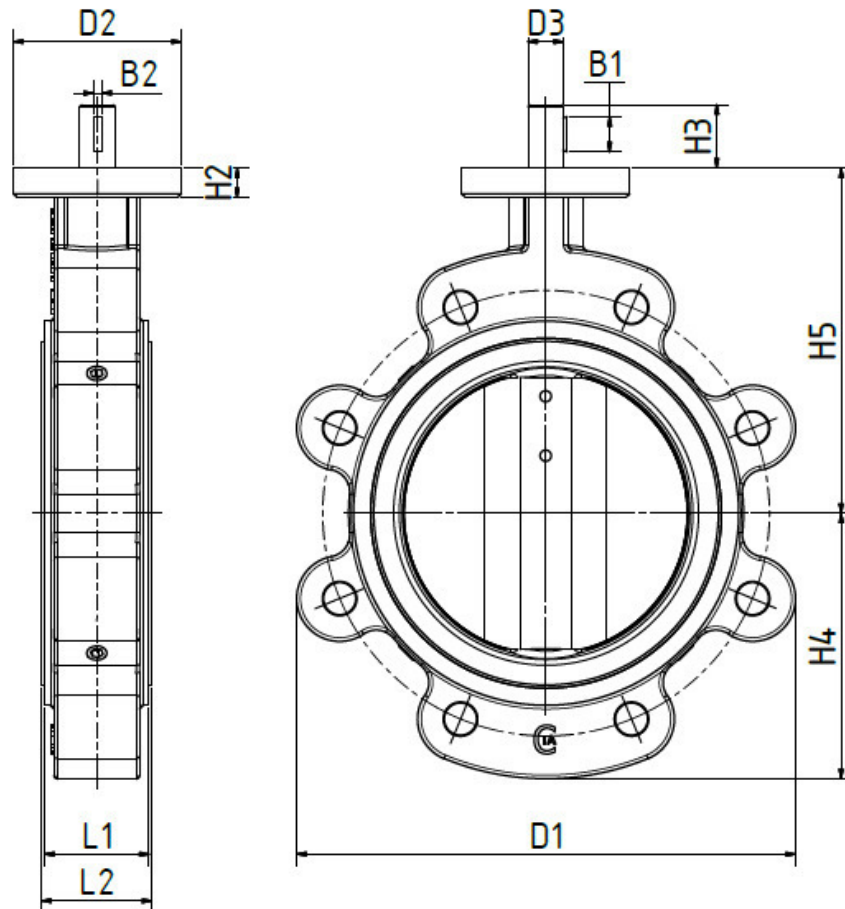


Dimension sheet „Butterfly Valves“

CENTER TECH BFL lug type Bare shaft



Dimension and weight



| Size DN | ISO Flange | FTF | | B1 | B2 | D1 | D2 | D3 | H2 | H3 | H4 | H5 | weight |
|---------|------------|-------|-------|-----|------|------|-----|-------|----|-----|-----|-----|--------|
| mm | | L1 mm | L2 mm | mm | mm | mm | mm | mm | mm | mm | mm | mm | Kg. |
| 40 | F05/F07 | 33 | 36 | 13 | 3,18 | 115 | 90 | 12,70 | 13 | 32 | 65 | 130 | 2,7 |
| 50 | F05/F07 | 43 | 46 | 13 | 3,18 | 118 | 90 | 12,70 | 13 | 32 | 78 | 124 | 3,4 |
| 65 | F05/F07 | 46 | 49 | 13 | 3,18 | 164 | 90 | 12,70 | 13 | 32 | 88 | 134 | 4,5 |
| 80 | F05/F07 | 46 | 49 | 13 | 3,18 | 183 | 90 | 12,70 | 13 | 32 | 98 | 141 | 6,1 |
| 100 | F05/F07 | 52 | 56 | 19 | 4,76 | 206 | 90 | 15,88 | 13 | 34 | 110 | 156 | 6,8 |
| 125 | F07 | 56 | 59 | 19 | 4,76 | 240 | 90 | 19,05 | 16 | 34 | 128 | 170 | 9,5 |
| 150 | F07 | 56 | 59 | 19 | 4,76 | 268 | 90 | 19,05 | 16 | 34 | 143 | 186 | 11,2 |
| 200 | F07/F10 | 60 | 65 | 19 | 4,76 | 335 | 125 | 22,20 | 16 | 45 | 180 | 218 | 22 |
| 250 | F10 | 68 | 73 | 25 | 6,35 | 398 | 125 | 28,58 | 16 | 45 | 205 | 249 | 28 |
| 300 | F12 | 78 | 81 | 25 | 6,35 | 465 | 150 | 31,75 | 20 | 45 | 250 | 285 | 47 |
| 350 | F12 | 78 | 81 | 25 | 6,35 | 520 | 150 | 31,75 | 22 | 45 | 268 | 368 | 69 |
| 400 | F12 (F14) | 102 | 107 | 38 | 7,90 | 588 | 175 | 33,34 | 22 | 51 | 318 | 400 | 99 |
| 450 | F14 (F16) | 114 | 119 | 38 | 9,50 | 624 | 210 | 38,00 | 22 | 51 | 335 | 423 | 128 |
| 500 | F14 (F16) | 127 | 132 | 54 | 9,50 | 690 | 210 | 41,15 | 25 | 64 | 375 | 480 | 184 |
| 600 | F16 | 154 | 160 | 57 | 12,7 | 816 | 210 | 50,80 | 26 | 76 | 460 | 562 | 265 |
| 700 | F25 | 165 | 169 | 60 | 18 | 892 | 300 | 63,53 | 26 | 90 | 525 | 624 | 323 |
| 800 | F25 | 190 | 195 | 60 | 18 | 1048 | 300 | 63,53 | 26 | 90 | 597 | 672 | 554 |
| 900 | F25 | 203 | 211 | 110 | 20 | 1163 | 300 | 75,00 | 28 | 140 | 615 | 768 | 831 |
| 1000 | F30 | 216 | 229 | 110 | 22 | 1235 | 300 | 85,00 | 28 | 130 | 701 | 823 | 1035 |
| 1200 | F30 | 254 | 261 | 130 | 32 | 1450 | 350 | 115 | 30 | 160 | 840 | 880 | 1580 |

Other diameters on request